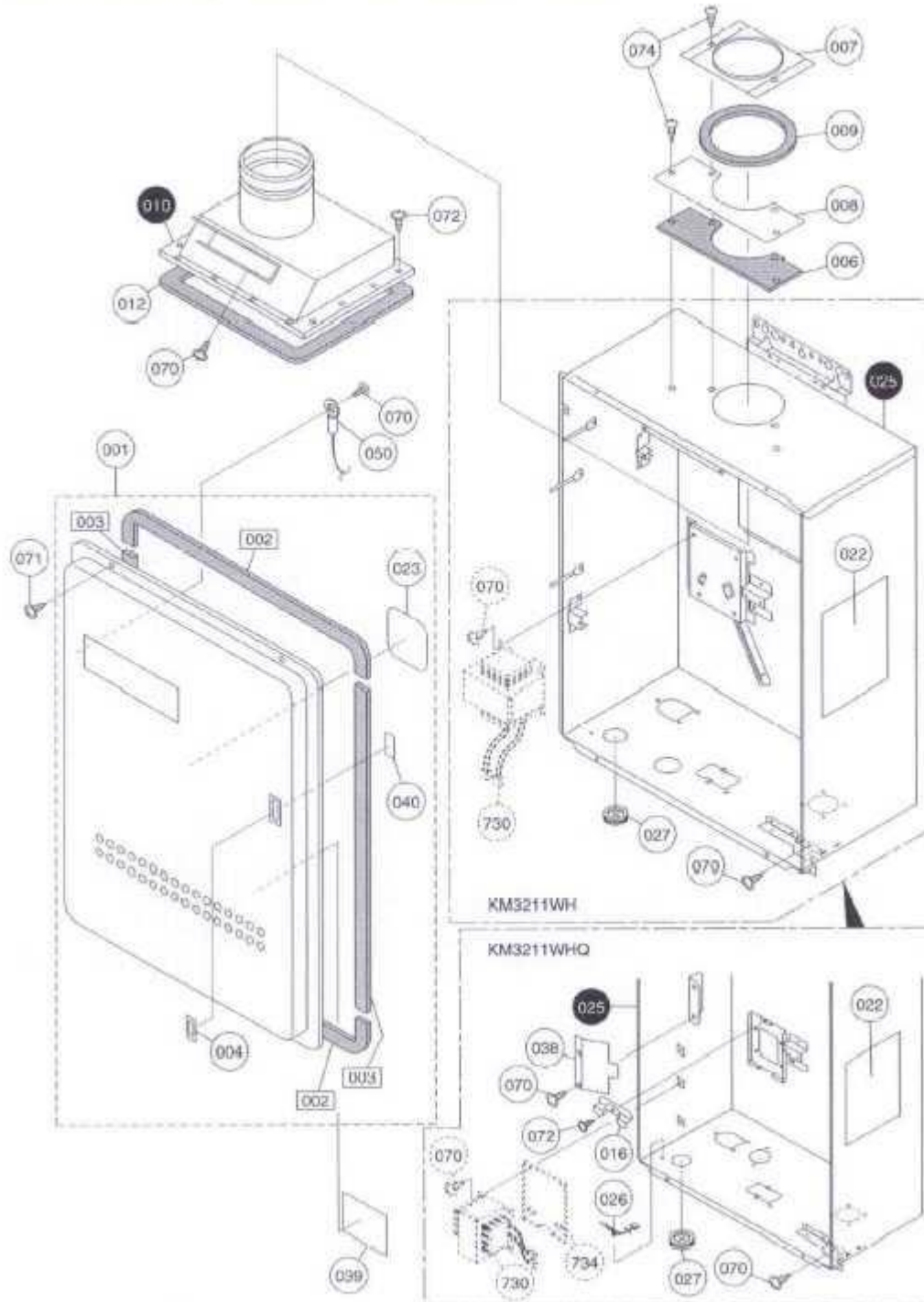




**BOSCH**  
Invented for life

External outfitting KM3211WH. KM3211WHQ



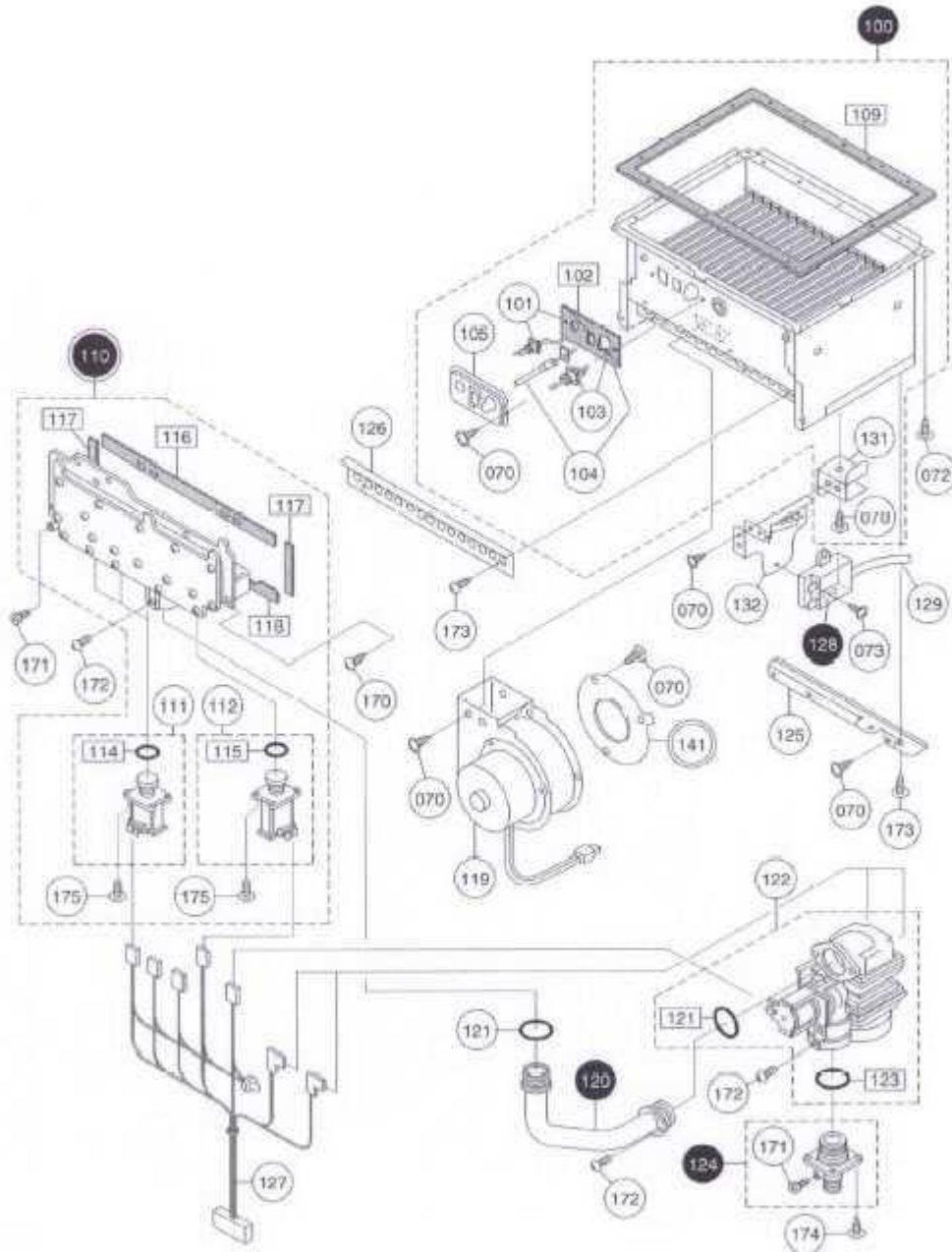
Position	Part Number	Description	Comments
001	SKA7035	Front Cover KM3211WH	

002	AAPL015	Cover Packing Top or Bottom	
003	AAPL017	Cover Packing Left or Right	
004	DECK008	Lamp Viewing Window	
006	EDML001	External Flue packing	
007	EDL005	External Flue cover plate	
008	EDMA003	External Flue packing cover plate	
009	EDLL002	Exhaust Circular packing	
010	EDMF001	Exhaust Box	009, 012 also replace
012	DHNL003	Exhaust Box Packing	
022	EJXK004	BOSCH Caution Label	
023	CRUK002	Plug Insulation sheet	
025	EJXA011	Case KM3211WH	022 also replace
027	7355009	Cord Grommet	
039	EJXK007	Connection Diagram Label BOSCH	
040	BUBK004	Internal Lamp Viewing Window	
050	DMBJ010	Earth Connection	
070		Cross recessed round-head collar N-tapping screw 4x8	
071		Cross recessed truss type3 EVERTIGHT tapping screw with PW 4x12	
072		Cross recessed round-head collar N-tapping screw 4x10	
073		Cross recessed round-head collar N-tapping screw 4x12	
074		Cross recessed truss type3 TIGHT tapping screw 4x10	
730	EJXJ021	Transformer	
731	EJSA021	Transformer Cover	



**BOSCH**  
Invented for life

Combustion unit and gas route KM3211WH. KM3211WHQ



Position	Part Number	Description	Comments
070		Cross recessed round-head collar N-tapping screw 4x8	

071		Cross recessed truss type3 EVERTIGHT tapping screw with PW 4x12	
072		Cross recessed round-head collar N-tapping screw 4x10	
073		Cross recessed round-head collar N-tapping screw 4x12	
074		Cross recessed truss type3 TIGHT tapping screw 4x10	
100	SBP7302	Burner - Combustion Unit	116, 117, 118 also replace
101	SBA7506	Flame Rod	
102	DLKL012	Ignition Plug gasket	
103	SBA7504	Ignition Plug	
104	SBA7505	Burner Sensor	
105	DLKC009	Plug Fixing Plate	
109	DHNL002	Burner Gasket	
110	SAR7812	Manifold Set LPG	for LPG 121 also replace
110	SAR7574	Manifold Set NG	for NG 121 also replace
111	SAQ7346	Solenoid S16	
112	SAQ7406	Solenoid S24 RHS	Redundancy Valve
114	SAD6433	O Ring for LHS Solenoid	
115	SAD6372	O Ring for RHS Solenoid	
116	CRPL002	Top Manifold Seal	
117	CRPL004	Side Manifold Seal	
118	CRPL003	Bottom Manifold Seal	
119	CXBF030	Fan With Motor	
120	DHNE015	Manifold Pipe	121 also replace
121	SAB1512	O Ring for Manifold Pipe	
122	SAQ7708	Gas Valve	
123	8590109	O Ring for Gas Valve Inlet	
124	CRUE016	Gas Inlet Connection Point	123 also replace
125	DLTC001	Burner Mounting Plate	
126	CRPC052	Main Damper	
127	DEKJ014	Wiring Loom	
128	AGVJ007	Ignition Unit	129 also replace

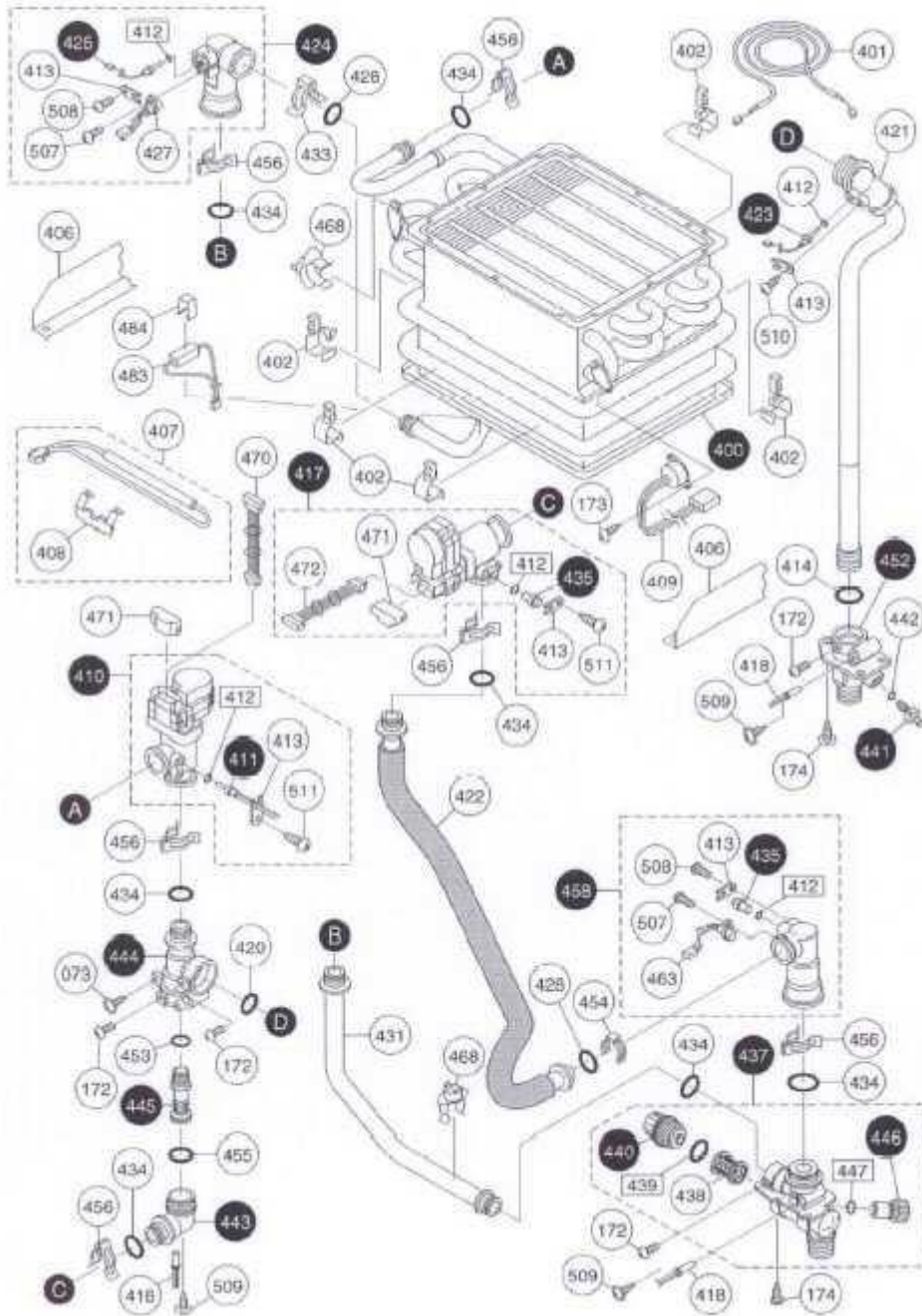
129	SAC1229	High Voltage Ignition Cord	
131	EACC011	Ignition Unit Mounting Plate Top	Attached to Burner
132	DTJA015	Ignition Unit Mounting Plate Side	Attached to Top Plate
141	CRUC045	Fan Cover plate LPG	For LPG
141	CRUC046	Fan Cover plate NG	For NG
170		Cross recessed round-head type3 EVERTIGHT tapping screw 5x16	
171		Cross recessed hexagon head machine screw M4x8	
172		Cross recessed round-head machine screw M4x8	
173		Cross recessed round-head N-tapping screw 4x8	
174		Cross recessed round-head collar type3 tapping screw 4x12	
175		Cross recessed round-head SPAK machine screw with guide M4x12	



**BOSCH**

Invented for life

## Hot-water feed route1 KM3211WH



Position	Part Number	Description	Comments
400	SBN7205	Heat Exchanger	012,109,401,402,428,434 also replace
401	SBA7398	Thermal Fuse Wrap Around	
402	CXDH003	Thermal Fuse Fastener	
405	DJPD012	Recirculation Inlet Coupling	For KM3211WHQ 420,434 also replace

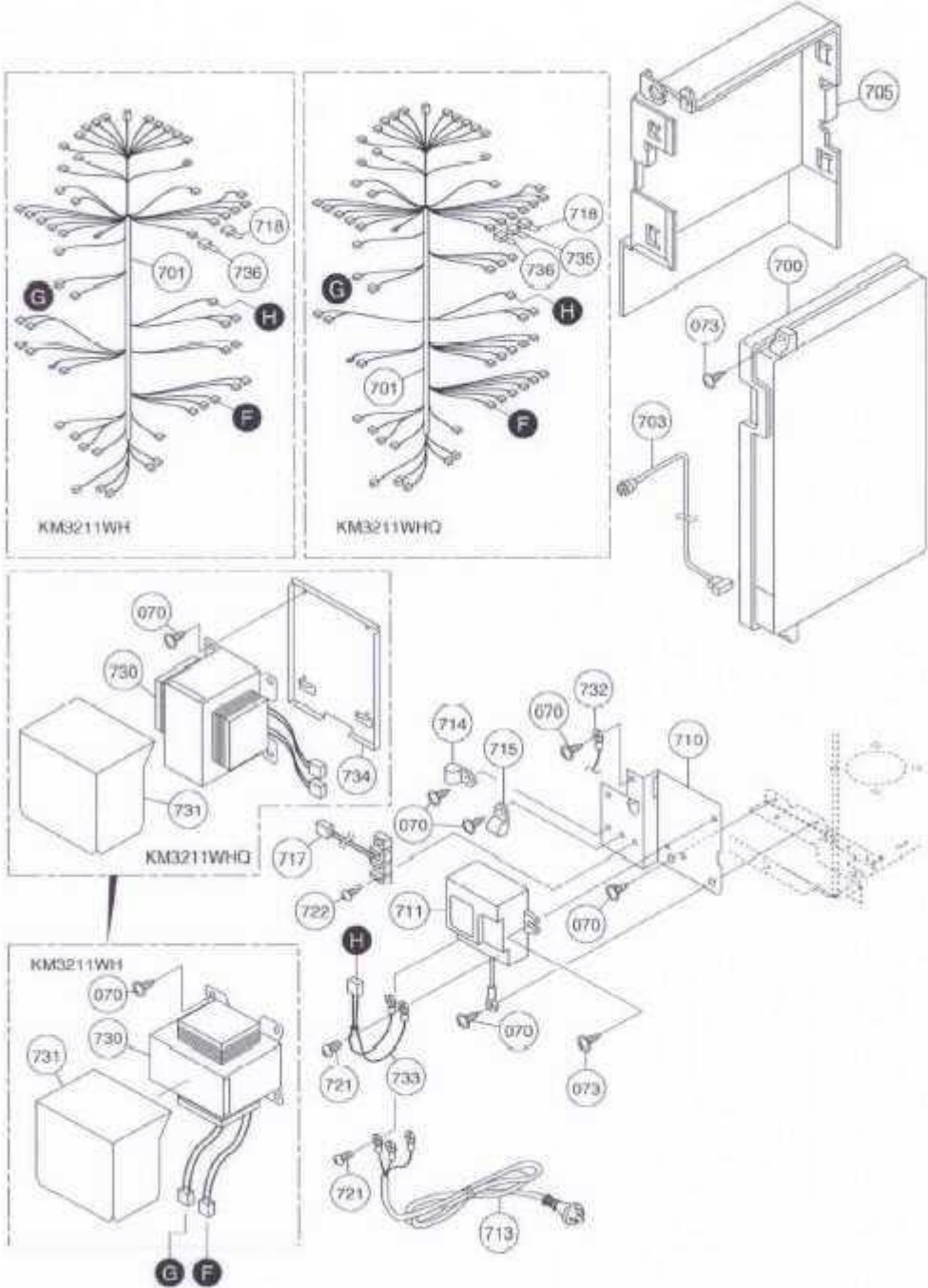
406	DHNA014	Thermal Fuse Cover	
407	SKA7037	Anti Frost Heater	Heat Exchanger
408	EHKH001	Anti Frost Heater Bracket	
409	DJPH002	Overtemperature Sensor RHS	
410	DZTD011	Motorised Water Valve Hot Water	434 also replace
411	BWCD098	Motorised Valve Thermistor Hot Water	412 also replace
412	1323709	O ring Water Inlet Thermistor	WH requires 5, WHQ Requires 6
413	ALSD088	Thermistor Holding Plate	WH requires 5, WHQ Requires 6
414	3059502	O Ring Hot Water Outlet Pipe	
417	DZTD010	Motorised Water Valve Q Function	434 also replace
418	DJWH003	Anti Frost Heater water inlet outlet and mixing valve	WH requires 3, WHQ Requires 4
420	7573308	O Ring Cold Water Outlet Pipe	WH requires 1, WHQ Requires 3
421	DHND010	Hot Water Outlet Pipe	
422	EACD003	Cold Mixing Water Pipe	With Insulation
423	BWCD096	Hot Water Outlet Thermistor	412 also replace
424	DUVD019	Water Flow Sensor Cold Water Inlet	428, 434 replace
425	BWCD097	Water Inlet Thermistor	412 also replace
427	BWCD090	Water Outlet Magnetic Sensor	
428	3359808	O ring for KM3211	WH requires 2, WHQ Requires 8
429	DHND018	T Piece for return water	For KM3211WHQ
431	EACD001	Cold Water Inlet Pipe	For KM3211WH
433	SAD6537	Quick Fastener	WH requires 1, WHQ Requires 6
434	3223302	O Ring Cold water inlet	
435	AXGD089	Thermistor Plug	WH requires 2, WHQ Requires 3 412 also replace

437	EACD006	Water Inlet Fitting	For KM3211WH 412 also replace
437	EBAD003	Water Inlet Fitting	For KM3211WHQ 412 also replace
438	EGBD032	Water Filter	For KM3211WH
438	DTJD005	Water Filter	For KM3211WHQ
439	BRQL008	O Ring for Water Inlet	
440	DTJD006	Water Filter Cap	439 also replace
441	CRUD003	Drain Plug Hot Water Outlet	WH requires 1, WHQ Requires 2 442 also replace
442	SAD6633	Drain Plug O Ring	WH requires 1, WHQ Requires 2
443	EACD007	Mixing Water Coupling	434,455 also replace
444	EACD013	Mixing Water Body	420,434,453,455 also replace
445	BWCD035	Mixing Water Cylinder	453,455 also replace
446	SAA2811	Blow Off Valve	447 also replace
447	SAD6635	Safety Valve O Ring	
448	EADD010	Return Line Fitting	For KM3211WHQ 420,477 also replace
449	CRUD005	Return Line Fitting Filter Cover	For KM3211WHQ
450	SAA6433	O Ring Return Line Fitting Filter Cover	For KM3211WHQ
451	DMMD002	Return Line Inlet Connection	For KM3211WHQ
452	HGHD101	Hot Water Outlet Connection	414,442 also replace
453	1326503	Mixing Water Cylinder O Ring top	
454	6340202	Quick Fastener for Cold Water Mixer Pipe	
455	SAA6483	Mixing Water Cylinder O Ring bottom	
456	6340300	Quick Fastener for Cold Water Mixer inlet	WH requires 6, WHQ Requires 7
458	DUVD017	Inlet Water Flow Sensor	428,434 also replace
459	ALSD058	Pump Anti Vibration Rubber	For KM3211WHQ



460	DANA012	Pump Mounting Plate	For KM3211WHQ
462	DUVD018	Pump Water Flow Sensor	For KM3211WHQ 428,434 also replace
463	BWCD093	Magnetic Sensor Water Inlet	
464	BWCD092	Magnetic Sensor Return Water	For KM3211WHQ
468	BVUH002	Anti Frost Thermostat LHS	
470	DZTJ008	Wiring Loom Mixing Water Valve	
471	CZLD041	Water Valve wiring cover	
472	DZTJ009	Wiring Loom Water Valve	
475	DHND026	Recirculation Pump	For KM3211WHQ 428 also replace
476	DSCD028	Shut off valve Recirculation inlet	For KM3211WHQ 420 also replace
477	1326708	Shut Off Valve O ring	For KM3211WHQ
480	EADD001	Cold Water Inlet Pipe	For KM3211WHQ
481	EADD006	Water Return Pipe	For KM3211WHQ
482	EADD008	Pump Outlet Pipe	For KM3211WHQ
483	DJWH004	Anti Frost Heater	WH requires 1, WHQ Requires 2
484	AJBL002	Anti Frost Heater Clip	WH requires 1, WHQ Requires 4
485	DJWH002	Anti Frost Heater	For KM3211WHQ
506		Cross recessed round-head machine screw M4X8	For KM3211WHQ
507		Cross recessed truss P TIGHT screw 4X10	
508		Cross recessed round-head P TIGHT screw 4X14	
509		Cross and Straight recessed round head collar type3 S TIGHT tapping screw 4X8	
510		Cross and Straight recessed type3 S TIGHT tapping screw 4X8	
511		Cross recessed round-head P TIGHT screw 4X14	

512		Cross recessed round-head type 3 EVERTIGHT tapping screw 4X8	For KM3211WHQ
-----	--	--	---------------



Position	Part Number	Description	Comments
----------	-------------	-------------	----------

700	SHA7706	PCB Controller Board	
701	EJXJ031	Wiring Harness	For KM3211WH
701	EJXJ011	Wiring Harness	For KM3211WHQ
703	CRPJ014	Lamp Cable including Lamp	
705	DEKA014	PCB Cover	
710	DZTA006	ELCB Mounting Plate	
711	EGHJ031	ELCB	
713	EJXJ017	Power Cable 240V	
714	7287909	Nylon cable clamp	
715	7224001	Nylon cable clamp	
717	CCPJ028	Remote Control Connection Lead	
718	CRUJ040	Airflow connector	
721		Cross recessed bind machine screw M3.5X6	
722		Cross recessed round head N-tapping screw 4X12	
730	EJXJ021	Transformer	
731	EJSA021	Transformer Cover	
732	DEMJ009	Earth Lead	
733	EJSJ016	PCB Power Lead	
734	EJSA016	Transformer Mounting Plate	For KM3211WHQ
735	EJSJ015	System selector connector	For KM3211WHQ
736	DTJJ031	Heating Level Sensor Connector	