

10P

Continuous Flow Gas Water Heater

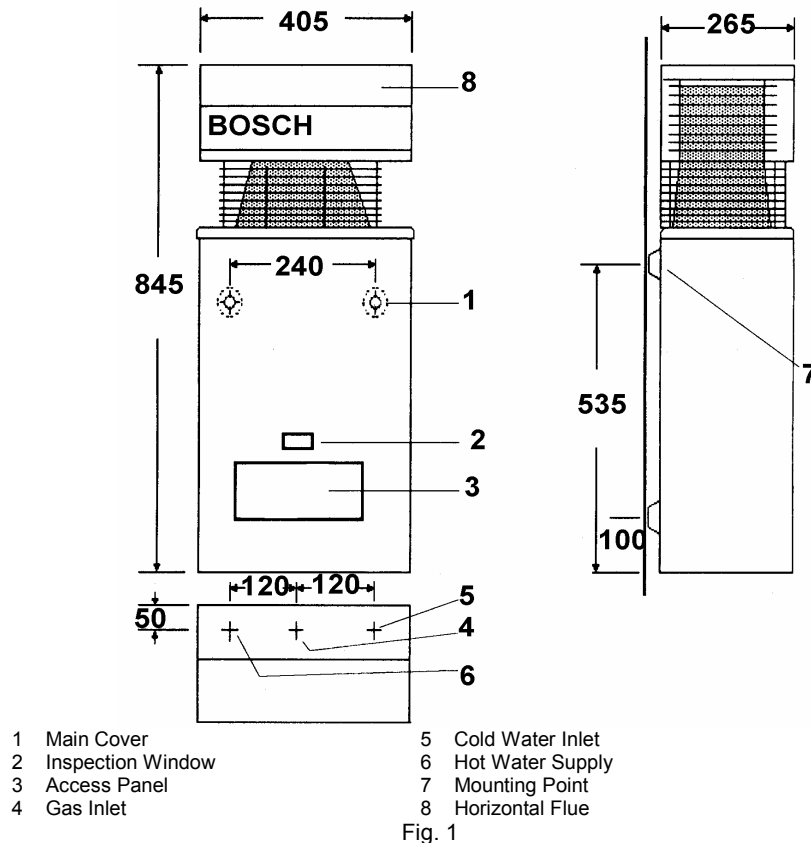


Fig. 1

This appliance must be installed in accordance with the manufacturer's installation instructions, AG 601, NZ 5261, AS3500.4.2 and all Local Water, Building and Gas fitting regulations

To be installed and serviced only by an authorised person
This appliance is not suitable for use as a pool heater

The "authorised installing person" is responsible for :

1. Correct commissioning of this appliance.
2. Ensure unit performs to the specifications stated on the rating label.
- 3.. Demonstrate operation of unit to customer before leaving.
4. Hand these instructions to customer.

Failure to install this appliance in accordance with these installation instructions may void warranty

In the interest of continued product improvement, Bosch reserves the right to alter these specifications without notice

Installation

Install only on an external wall, as close as possible to the most frequently used hot tap. Use a heat shield (accessory item part number 9 708 061 400) if the unit is to be installed on a combustible surface. Allow minimum air gap of 10 mm between the flue and the heat shield, (refer figure 2).

Ensure that the flue terminal is clear of any combustible material, and avoid installation in a marine environment.

Install the appliance such that the base of the appliance is not more than 1.3 metres and not less than 0.5 meters from the ground, and allow for easy access to service heater.

Secure heater to wall using two 10g X 5/16 hex head wood screws (Ramset 610041 or similar). Locate head of screw in the key hole of the top mounting bracket.

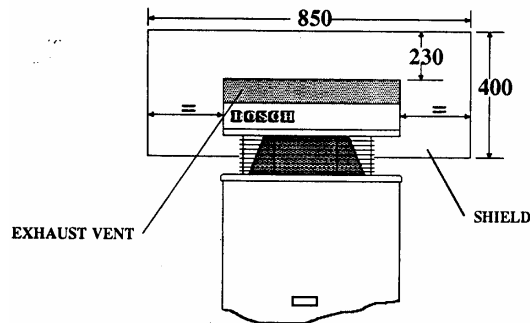


Fig. 2

Pipe Connections

Refer to Fig. 1 for locations

Hot and Cold water ½" male

Natural gas ¾" female

L.P. gas ½" male

A gas cock must be installed in the gas supply line with provision to disconnect the appliance. Install gate valve or full flow ball valve (fixed mechanism type) in cold water supply.

A non return valve must not be fitted. Example duo valve

We recommend that all hot water pipes be lagged if the runs are long or exposed, and water-proof lagging should be used on all external hot water pipes. If the water supply pressure exceeds 80% of the specified maximum, install a pressure limiting valve. If installing a pressure limiting valve fit a cold expansion valve between the limiting valve and the appliance. PLV = 500kPa Cold expansion = 700kPa

Refer to AG 601 and AS3500.1 for the relevant pipe size.

NOTE:Service calls for incorrect pipe sizing will NOT be covered under warranty.

Water Filter

If sludge or foreign matter is or may be present in the water supply, it is recommended that a suitable filter be incorporated in the water supply line to the heater. All pipes should be well flushed before connection is made.

A water filter/strainer is installed in the inlet of the brass water valve inside the appliance.

Water Temperature Adjustment

Located inside the water heater, immediately below the gas controls, is a water temperature selector knob.

To increase the water temperature (decrease water flow) turn the knob clockwise. To reduce water temperature (increase water flow) turn the knob anti clockwise.

Characteristic Data

| | | |
|-------------------------------|-----|------|
| Pilot orifice diameter (mm) | NG | 0.30 |
| | LPG | 0.19 |
| | TG | 0.56 |
| | TLP | 0.56 |
| Burner injector diameter (mm) | NG | 1.20 |
| | LPG | 0.75 |
| | TG | 2.15 |
| | TLP | 2.15 |
| Burner pressure (kPa) | NG | 0.87 |
| | LPG | 2.40 |
| | TG | 0.40 |
| | TLP | 0.40 |

Water flow selector at left hand stop.

| | | |
|------------------------|--------------------|-------------------------------|
| Maximum water flow | 10 litres / minute | |
| Temperature rise | 25°C | |
| Minimum inlet pressure | NG | 90 kPa (9.0 metres W.G.) |
| | LP | 55 kPa (5.5 metres W.G.) |

Water flow selector at right hand stop

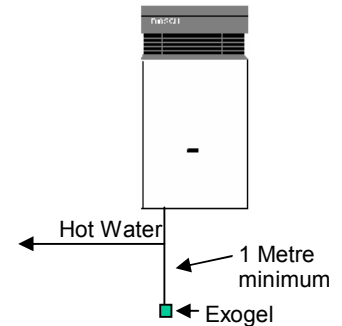
| | | |
|------------------------|---------------------|-----------------------------|
| Minimum water flow | 4.5 litres / minute | |
| Temperature rise | 55°C | |
| Minimum inlet pressure | NG | 30 kPa (3 metres W.G.) |
| | LP | 10 kPa (1 metre W.G.) |

Refer to rating label located on the bottom right hand corner of the back panel for additional data.

Freezing Weather

In areas where the atmospheric temperature may drop below 0°C, the heater must be drained to prevent damage by expansion of freezing water. For appliances installed in locations where the temperature falls below 0° C for brief periods, the installation of an EXOGEL expansion valve, (part number H 707 060 151), will minimise the possibility of damage to the appliance.

This water heater MUST NOT be installed in areas where the temperature remains below 0°C for extended periods.



Conversion and Spare Parts

For spare parts or conversion of the heater to operate on a different gas that for which it was originally manufactured, please contact your local gas authority, authorised service agent or the manufacturer

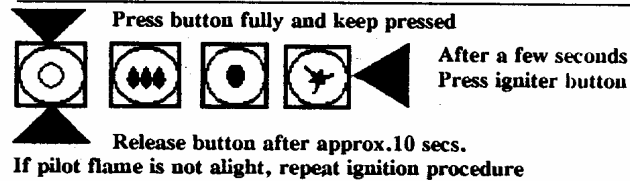
Operating instructions

Open all hot water taps to expel any air prior to lighting
Remove front cover by loosening the two screws at the lower rear corners of the cabinet.
Check that gas and water valves are open, operate as indicated in Fig. 3
Refit front cover and tighten screws

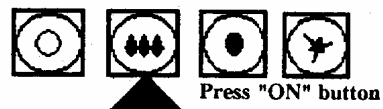
Fig. 3

OPERATING INSTRUCTIONS

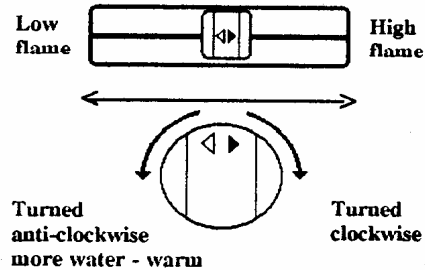
STARTING



OPERATION



TEMPERATURE CONTROL

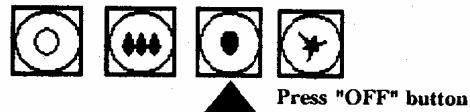


IMPORTANT

TURN HOT WATER TAP ON FULLY WHEN USING

SHUTTING OFF

(If no hot water is to be drawn for a longer period of time)



Warning - If the pilot light is extinguished, wait 5 minutes before attempting to relight the appliance. If the appliance does not operate, burns with yellow flame, leaks water or a gas smell is evident, turn off and contact the local gas authority, the manufacturer or an authorised service person.
When attempting to light the appliance ensure that all hot water taps are turned off.

Commissioning

Gas Inlet Pressure Adjustment

With the gas supply turned off, remove sealing screw from inlet pressure test point located on the right hand side of the gas section refer Fig. 4 pos.A, attach manometer. Turn on gas and light heater. Open hot water tap fully and adjust gas pressure regulator to 1.13kPa for NG or 2.60kPa for LPG. Turn off gas and water, remove manometer, replace sealing screw and test for escape.

Gas Burner Pressure Adjustment

Turn off gas supply, loosen captive screw in burner pressure test point, left hand side of burner manifold refer Fig.5 Pos A, attach manometer turn on hot water tap fully and check pressure.

Adjust pressure by turning the knurled wheel clockwise to increase gas pressure, anti clockwise to decrease. refer Fig 4 Pos.E

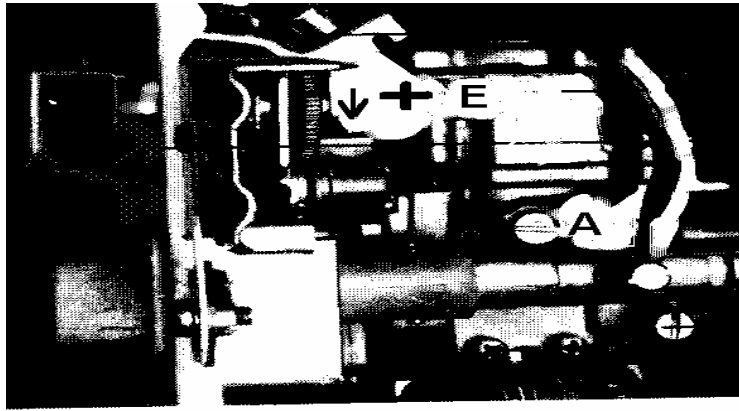


Fig. 4



Fig 5

Maintenance

We recommend that the appliance be inspected and cleaned by an authorised person periodically, depending upon the frequency and duration of its operation, but never less than once a year.

Fault Finding.

| Problem | Possible Cause | Solution |
|---|---|--|
| Appliance does not light | No gas supply Blocked pilot | Connect to supply Replace pilot injector |
| Pilot lights but no main burner | Split/Distorted diaphragm | Replace |
| Smell of gas | Luminous flame Loose gas connection | Clean burner Locate leak with soap solution |
| Yellow flame | Burner venturi blocked | Clean with venturi brush |
| Water leak on top of water valve lid | Damaged O ring Excessive pressure Frost damage | Replace O ring, grease with Unisilkon L641# 8709918413 Check water isolating valve. (Must be gate valve or similar) Drain appliance or fit Exogel expansion valve # H707060151 |
| Low burner flame, water does not heat up. | Low inlet gas pressure Low burner pressure | Check supply regulator and pipe size Check appliance regulator Check thermostat bellows Check thermostat insert |
| Low water temperature | Water flow rate set too high Low gas pressure Thermostat faulty/out of adjustment | Set flow rate Check pressure Replace/Adjust thermostat |
| Low water flow | Low water pressure Blocked water valve Blocked heat exchanger Blocked shower rose or tap aerator | Check and adjust Clean filter Descale Clean |
| Shower goes hot & cold | Low flow water saver shower rose | Replace with less restrictive rose. Check operation at other tap |
| Operates only at high water flow | Relief valve spring corroded Installed incorrectly, cold supply to hot outlet | Replace valve Correct installation |
| Cuts off when operating | Thermostat faulty/out of adjustment Wrong thermostat insert | Replace/Adjust thermostat Fit correct part |
| Operates only with slow light valve loose | Faulty diaphragm Blocked passage between slow light & venturi Faulty slow light valve | Replace Clean Clean/Replace |

Water quality

All Bosch water heating appliances are constructed from high quality materials and components and all are certified for compliance with relevant parts of Australian and New Zealand gas, electrical and water standards.

Whilst Bosch water heaters are warranted against defects, the warranty is conditional upon correct installation and use, in accordance with detailed instructions provided with the heater, in the case of the water supplied to the heater, it is important that the water quality be of acceptable standard.

The water quality limits/parameters listed in water quality table are considered acceptable and generally, Australian and New Zealand suburban water supplies fall within these limits/parameters.

In areas of Australia and New Zealand where water may be supplied, either fully or partly, from bores, artesian wells or similar, one or more of the important limits may well be exceeded and the heater could, therefore, be at risk of failure.

Where uncertainty exists concerning water quality, intending appliance users should seek a water analysis from the water supplying authority and in cases where it is established that the water supply does not meet the quality requirements of the water quality table, the Bosch warranty would not apply.

Water quality table

Maximum levels

| pH | Saturation Index(LSI) (Langelier) | Total Hardness | Chlorides | Sodium | Iron |
|---------|-----------------------------------|----------------|-----------|----------|--------|
| 6.5-9.0 | +0.4 to -1.0 at 65 °C | 200 mg/l | 250 mg/l | 180 mg/l | 1 mg/l |

Table 8

Warranty details

Robert Bosch (Australia) Pty Ltd
(Bosch) Manufacturer's Warranty
(Applicable for purchases from 1 January 2012)

All Bosch hot water units are carefully checked, tested and subject to stringent quality controls.

1. Warranty

Bosch offers, at its option, to repair or exchange this Bosch hot water unit or the relevant part listed in clause 2 below at no charge, if it becomes faulty or defective in manufacture or materials during the warranty period also stated in clause 2. This warranty is offered in addition to any other rights or remedies held by a consumer at law.

2. Warranty periods & coverage

- (a) Domestic applications: 2 years (parts and labour)
- (b) Heat exchangers used in domestic applications: 10 years (parts only)
- (c) Commercial applications: 12 months (parts and labour)
- (d) Heat exchangers used in Commercial applications 12 months (parts only)

All warranty periods commence on the date of purchase of the hot water unit by the end-user. However, where the date of purchase by the end-user is more than 24 months after the date of manufacture, all warranty periods will automatically commence 24 months after the date of manufacture.

3. Warranty exclusions

This warranty is VOID if any damage to or failure of the hot water unit is caused wholly or partly by:

- (a) Faulty installation
- (b) Neglect, misuse, accidental or non-accidental damage, failure to follow instructions
- (c) Use of the unit for purposes other than which it was designed or approved
- (d) Unauthorised repairs or alterations to the unit without Bosch's consent
- (e) Use of unauthorised parts and accessories without Bosch's consent
- (f) Use of non-potable water or bore water in the hot water unit (see product instructions for further details)
- (g) Continued use after a fault becomes known or apparent.

This warranty DOES NOT include:

- (a) Costs of consumables or accessories
- (b) Wear and tear, normal or scheduled maintenance
- (c) To the extent permitted by law, any damage to property, personal injury, direct or indirect loss, consequential losses or other expenses
- (d) Changes in the condition or operational qualities of the hot water unit due to incorrect storage or mounting or due to climatic, environmental or other influences.

NOTE: Any service call costs incurred by the owner or user of the hot water unit for any matter not covered by the terms of this warranty will not be reimbursed by Bosch, even if those costs are incurred during the warranty period. If the hot water unit is located outside the usual operating area of a Bosch service agent, the agent's travel, freight or similar costs are not covered by this warranty and must be paid by the owner or user of the hot water unit.

4. Warranty conditions

- (a) Proof of purchase may be required.
- (b) The hot water unit must be installed by an authorised and licensed installer.
- (c) Proof may be required of the date of installation and correct commissioning of the hot water unit has

been carried out to Bosch's satisfaction (such as a certificate of compliance).

(d) Repair or replacement of the hot water unit or any parts under this warranty does not lengthen or renew the warranty period.

(e) This warranty is not transferable and is only offered to the original purchaser of the hot water unit.

(f) No employee or agent of Bosch is authorised to amend the terms of this warranty.

(g) This warranty only applies to Bosch hot water units purchased from an authorised reseller and installed in Australia or New Zealand.

(h) To the extent that any condition or warranty implied by law is excludable, such condition or warranty is excluded.

5. How to lodge a warranty claim and warranty procedure

(a) Warranty claims must be made with the Bosch Customer Contact Centre (Australia: ph 1300 307 037; New Zealand: ph 0800 543 352). Please be ready to provide the model and serial numbers, date of installation, purchase details and a full description of the problem. Warranty claims must be made before the end of the warranty period.

(b) All warranty service calls must be conducted by an authorised Bosch service agent.

(c) Invoices for attendance and repair of a hot water unit by third parties not authorised by Bosch will not be accepted for payment by Bosch.

6. Privacy Act 1988 (Cth)

A customer's personal information collected during warranty claims may be used for the provision of customer support, for the provision of information about products and services and for other marketing activities undertaken by Bosch and its Bosch Service Agents who are authorised to carry out warranty repairs on behalf of Bosch (Purpose). Bosch is committed to protecting the privacy of its customers' personal information. It will act in compliance with the National Privacy Principles and Privacy Act 1988 (Cth). Bosch will not forward customers' personal information to third parties other than for the Purpose. A customer can object at any time to the use of their personal information for the purpose. Bosch will cease to use a customer's personal information accordingly if an objection is made.

7. Bosch contact details

If you have any questions about this warranty or to lodge a warranty claim, please contact:

Robert Bosch (Australia) Pty Ltd
1555 Centre Road, Clayton, Victoria 3168
Tel: Australia: 1300 307 037
Tel: New Zealand: 0800 543 352

IMPORTANT NOTE FOR AUSTRALIAN CONSUMERS

Our goods come with guarantees that cannot be excluded under the Australian Consumer Law. You are entitled to a replacement or refund for a major failure and for compensation for any other reasonably foreseeable loss or damage. You are also entitled to have the goods repaired or replaced if the goods fail to be of acceptable quality and the failure does not amount to a major failure.