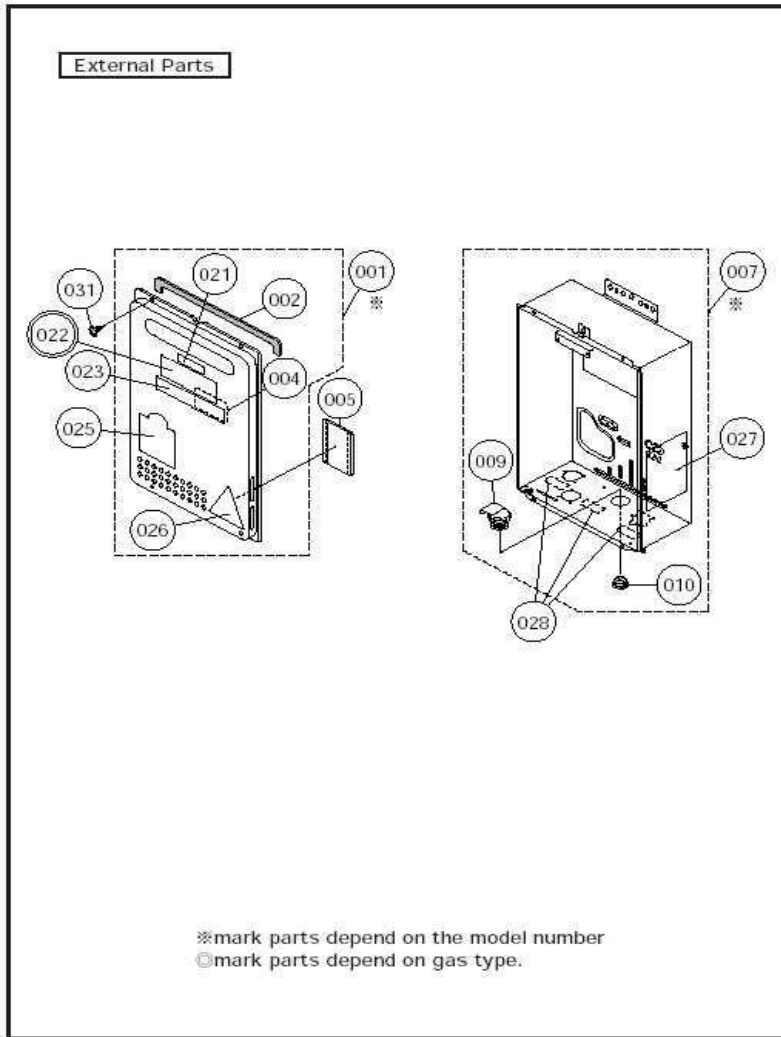


**BOSCH**

Invented for life

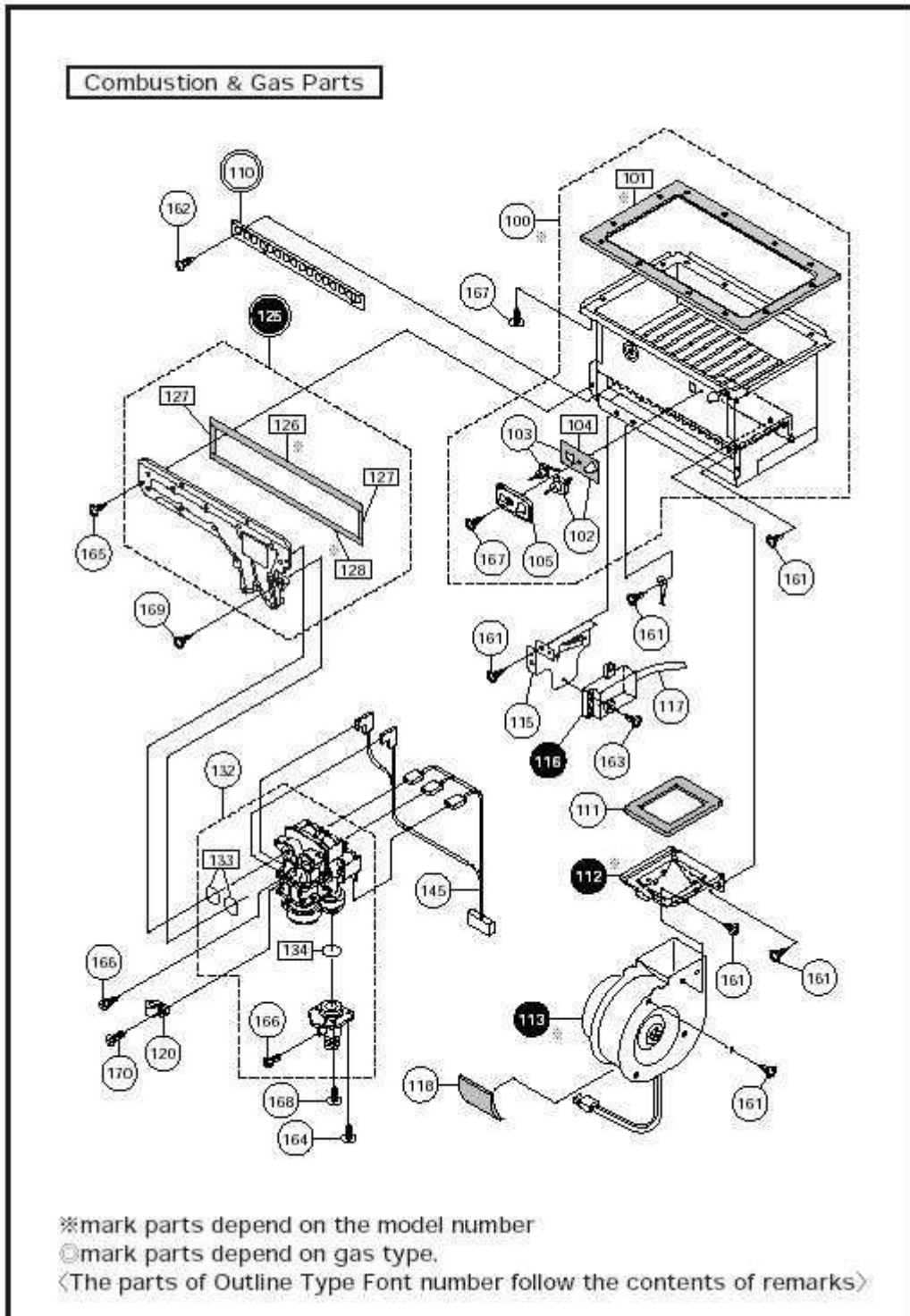


Position	Part Number	Description	Comments
1	YS1Q8500109	FRONT COVER (S) 21E	
2	YS0Q8500209	Front Packing	
4	DKEK001NR	Plug Insulating Sheet 21E/25s	
5	YS1P1800106	Wiring Diagram (S)	
7	YS1P8500208	REAR CASE (S)	
9	CZLA010	Wiring Connection	
10	CXPA026	Cap	
21	EGHK009	Hot-surface Label	
22	S7O1B05200	Gas Label LPG	
22	S7O1B05102	Gas Label NG	
23	YS1Q180015	Front Cover Label 21E	
25	YS1Q180042	Energy Label 21E	
26	YS1P180123	50degree Label	
27	YS1P1801103	Caution Label	
28	S8A140528	Gas/Inlet/Outlet Label	
31	SAB6510NR	Front Cover Screw 4x12	



**BOSCH**

Invented for life

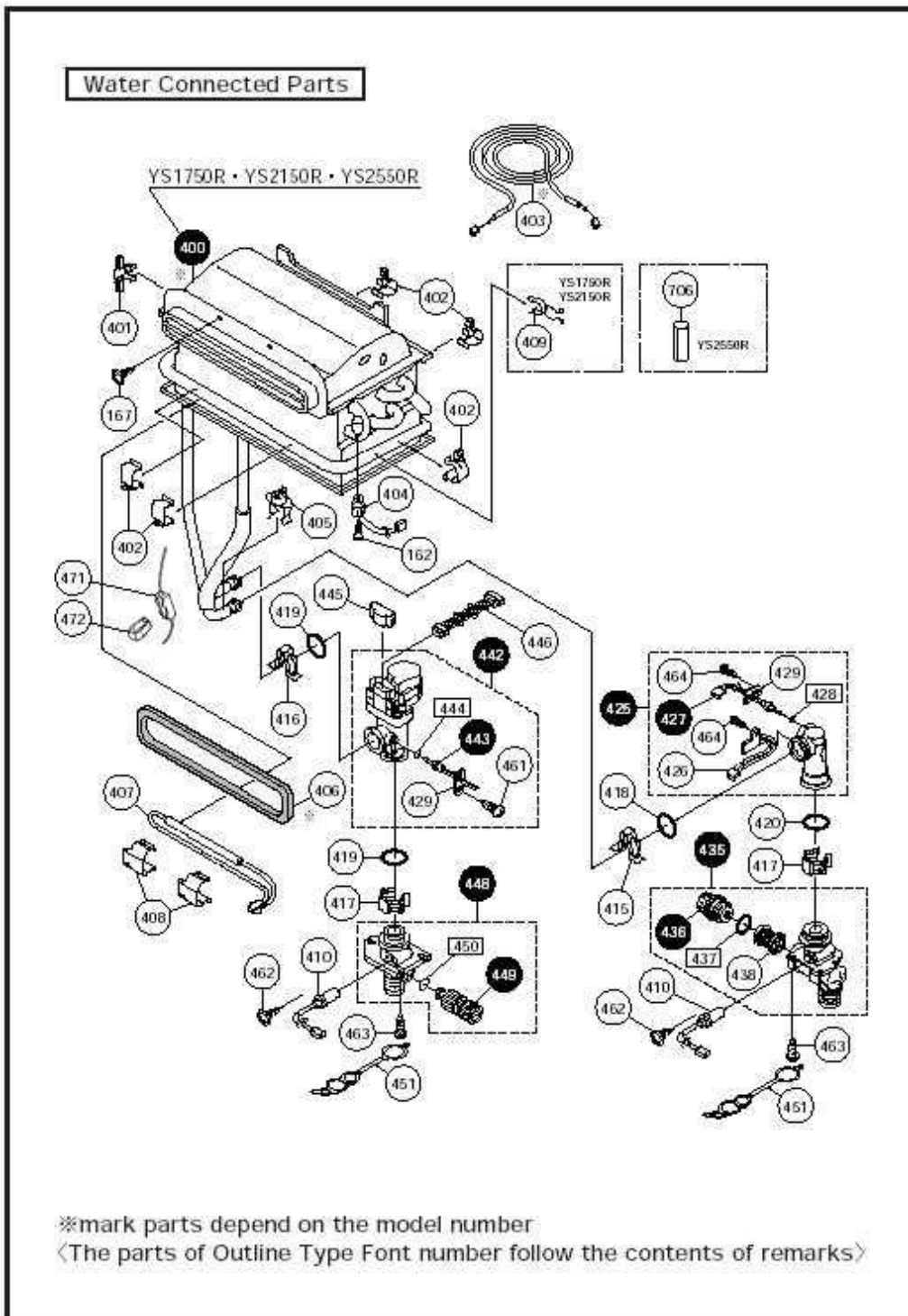


Position	Part Number	Description	Comments
100	SBN7473	Combustion Chamber (S) DSS 21E	

101	DSSL001	Air-intake connection Packing DSS 21E	
102	SBC7684	Ignition Plug (S)	
103	SBC7685	Flame Rod (S)	
104	SAB2715	Plug Packing	
105	YS0Q8510508	Plug Fixing Plate	
110	DSSC041	Main Damper (11) DSS 21E	
111	DTJL004	Fan Packing Q DTJ 17/21E	
113	SBC7734	FAN (S) DSS	
115	DTJ015	Ignitor Fixing Plate	
116	AGVJ007	IGNITOR	
117	YS0Q8511701	High-tension Code (L350)	
118	YS0Q8511809	Protection Packing DTJ 17/21/25	
120	7287909	Nylon Clamp	
125	YS1Q8500207	BURNER MANIFOLD (S) 21E NG	
125	YS0S85125103	BURNER MANIFOLD (S) 21E LPG	
126	YS0S85126208	Manifold Seal Packing Upper DSS 21	
127	YS0Q8512708	Manifold Seal Packing Side DTJ	
128	DSSL006	Manifold Seal Packing Lower DSS 21E	
132	YS1P8500806	GAS VALVE (S) 3/4	
133	YS0Q8513303	O-ring (P18)	
134	1648306	O-ring (P28)	
145	YS0Q8514506	Harness R10 DTJ	
161	SAD6181NR	Screw (with flange) 4x8	
162	6347606NR	Screw 4x8	
163	SAD6183NR	Screw (with flange) 4x12	
164	6313400NR	Screw (with PW) M4x12	
165	SAB6001NR	Screw 5x16	
166	SAC6082NR	Screw M4x8	
167	SAD6182NR	Screw (with flange) 4x10	
168	SAD6223NR	Screw M5x12	
169	SAD6467NR	Screw (with guide) M4x14	
170	SAD6476NR	Screw M4x8 S430	



**BOSCH**  
Invented for life



Position	Part Number	Description	Comments
400	SBC7696	Heat Exchanger (S) 21E	
401	YS0Q8540101	Thermal Fuse Fastener CZL	
402	YS0Q8540209	Thermal Fuse Fastener DTJ	
403	SBC7704	Thermal Fuse (S) DSS 21E	
404	YS0Q8540405	High-limit Switch (120)	
405	YS0Q8540503	Low-limit Switch	

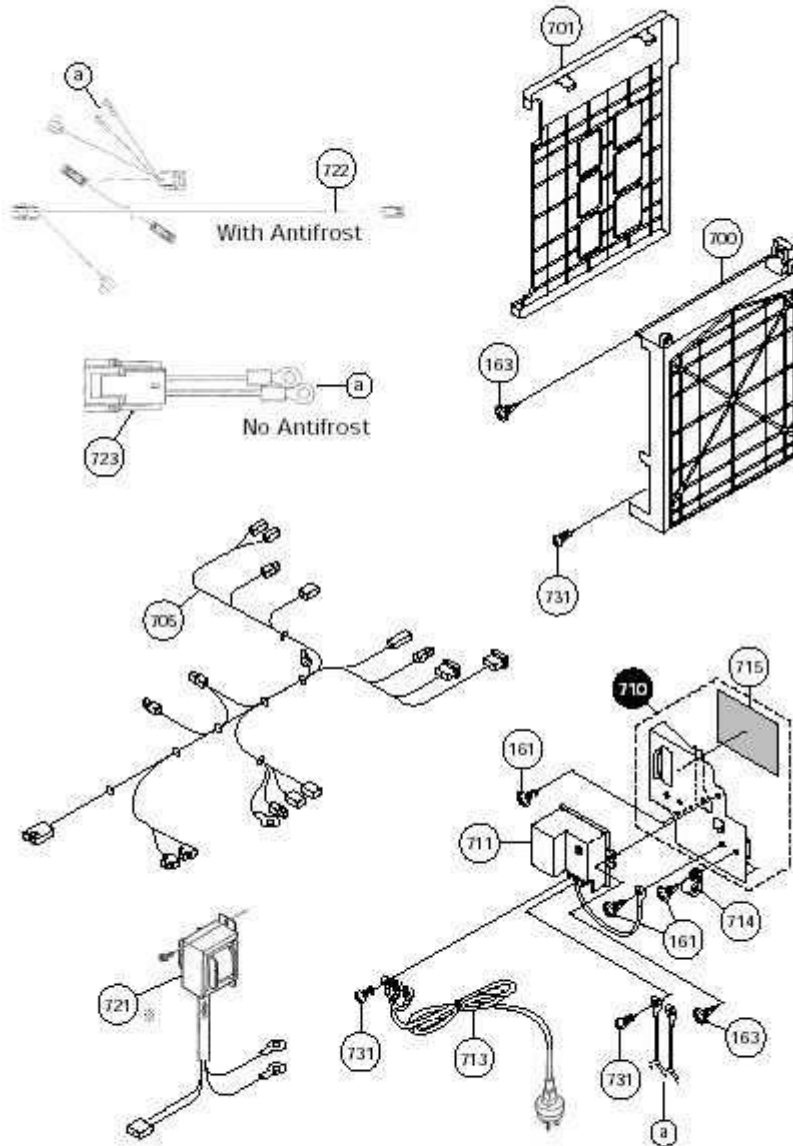
406	YS0Q85406205	Front Top Packing DJP 21E	
407	YS1P510031	Anti-frost Heater (A)	
408	EHKH001	Heater Fastenr CRP	
409	YS0Q8540905	Harness Clip HGK 17/21E	
410	YS0Q8541000	Anti-frost Heater (3)	
415	SAD6537	Quick Fastener (13-22)	
416	SAD6593	Quick Fastener (16-25)	
417	6340300	Quick Fastenr (16A)	
418	YS0Q8541804	O-ring (P12.5)	
419	3223302	O-ring (P16C)	
420	YS0Q8542007	O-ring (P16)	
425	DDMD001	WATER FLOW RATE SENSOR (S)	
426	YS0Q8542605	Magnetic Sensor	
427	YS0Q8542703	INLET-WATER THERMISTOR	
428	YS0Q8542801	O-ring (P4)	
429	YS0Q8542909	Thermistor Fixing Plate	
435	DTJD003	WATER INLET (S) (20A)	
436	DTJD006	WATER FILTER LID	
437	BRQL008	O-ring (16DF)	
438	DTJD005	Water Filter	
442	EBAD007	WATER VOLUME SERVO (S)	
443	BWCD096	OUTLET-WATER THERMISTOR	
444	YS0Q8544403	O-ring (P4C)	
445	C2LD041	Drip-proof Cover CZL	
446	DTJJ006	Harness 86	
448	YS0P8544806	WATER OUTLET (S) (20A)	
449	SAA2811	RELIEF VALVE (S)	
450	SAD6635	O-ring (P9)	
451	DTJD032	Drain Plug Band (20A)	
461	SAC6300NR	Screw 4x14	
462	SAA6721NR	Screw 4x6	
463	SAD6453NR	Screw (with flange) 4x6	
464	SAA6171NR	Screw 4x14	
471	YS1P510040	Anti-frost Heater (B)	
472	AJBL002	Anti-frost Heater Fixing Spring (1)	



**BOSCH**

Invented for life

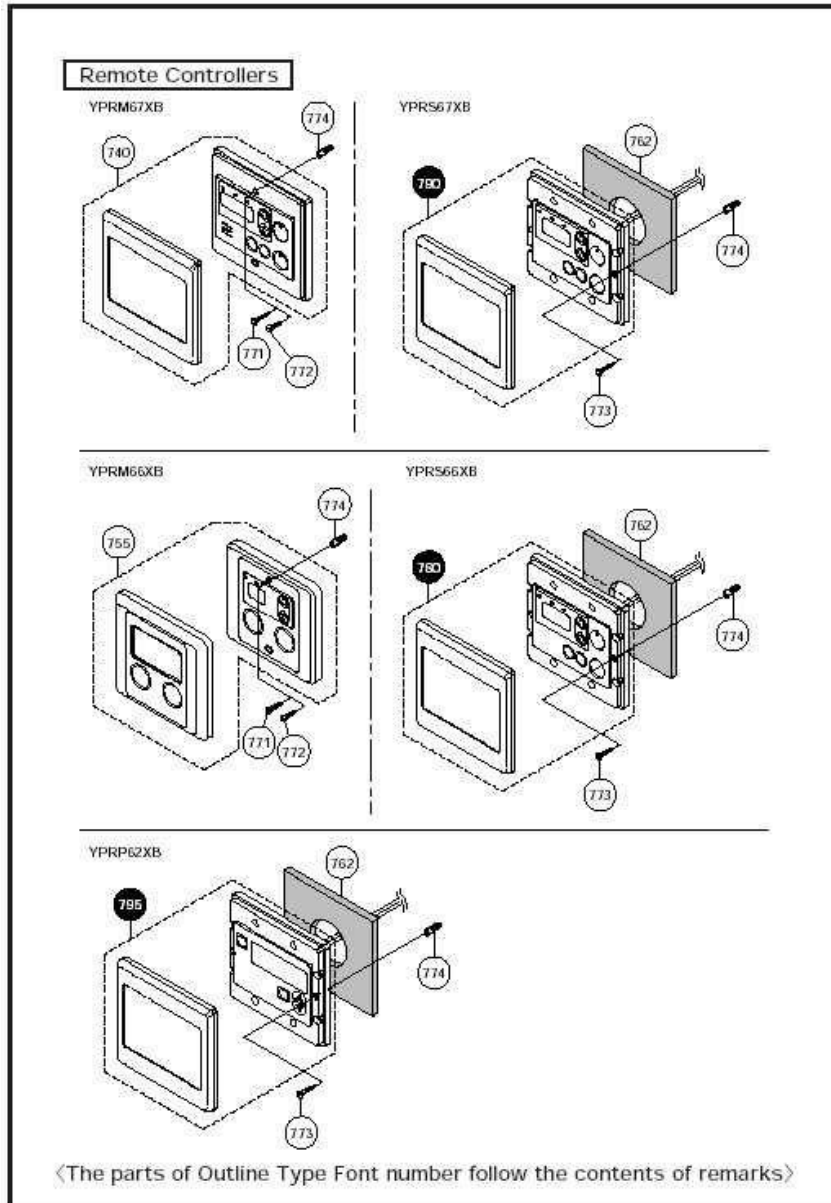
Electronic Parts



※mark parts depend on the model number

〈The parts of Outline Type Font number follow the contents of remarks〉

Position	Part Number	Description	Comments
163	SAD6183NR	Screw (with flange) 4x12	
700	YS1P8500306	PRINTED CIRCUIT BOARD (S)	
701	YS0Q8570106	PCB Lid	
705	DXJJ001NR	Harness 1	
706	DTJL008	Heat-insulation Packing	
710	YS0Q8571005	EARTH LEAKAGE BREAKER FIXING (S)	
711	EGHJ031	Earth Leakage Breaker	
712	YS0Q8571201	Harness (M92-350)	
713	EJXJ017	Power Cable	
714	7224001	Nylon Clamp HP5N	
715	YS0Q8571505	Drip-proof Cover DTJ	
721	YS1P5100521	Transformer 230V (NZ ver)	
721	YS1P5100512	Transformer 240V (Aus ver)	
722	YS1P510086	Power Relay Harness (anti-frost)	
723	YS1P510095	Power Relay Harness (no anti-frost)	
731	SAC6564NR	Screw M3.5x6	



Position	Part Number	Description	Comments
740	QNAJ003NR	Main Controller (YPRM67XB)	
755	QNAJ001NR	Main Controller (YPRM66XB)	
760	QNAJ002NR	Bathroom Controller(YPRS66XB)	
762	YS0Q8576206	Wall Packing	
771	SHC6365NR	Screw 4.1x20	
772	SHB6879NR	Screw M4x35	
773	6337601NR	Screw 4.1x25	
774	6339000NR	Plug 6x25	
790	QNAJ004NR	Bathroom Controller (YPRS67XB)	
795	QJUI034NR	Sub Controller (YPRP62XB)	