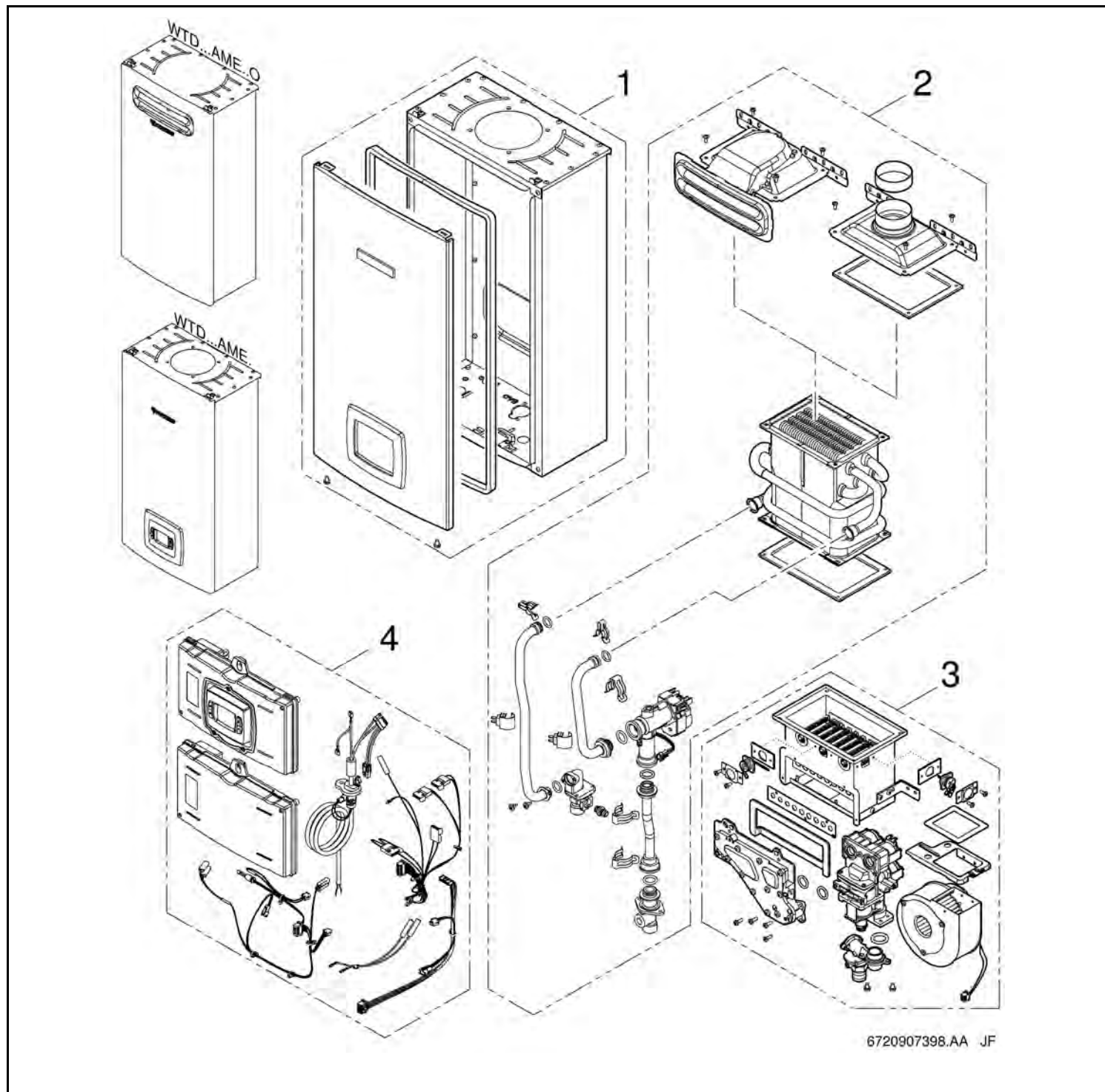
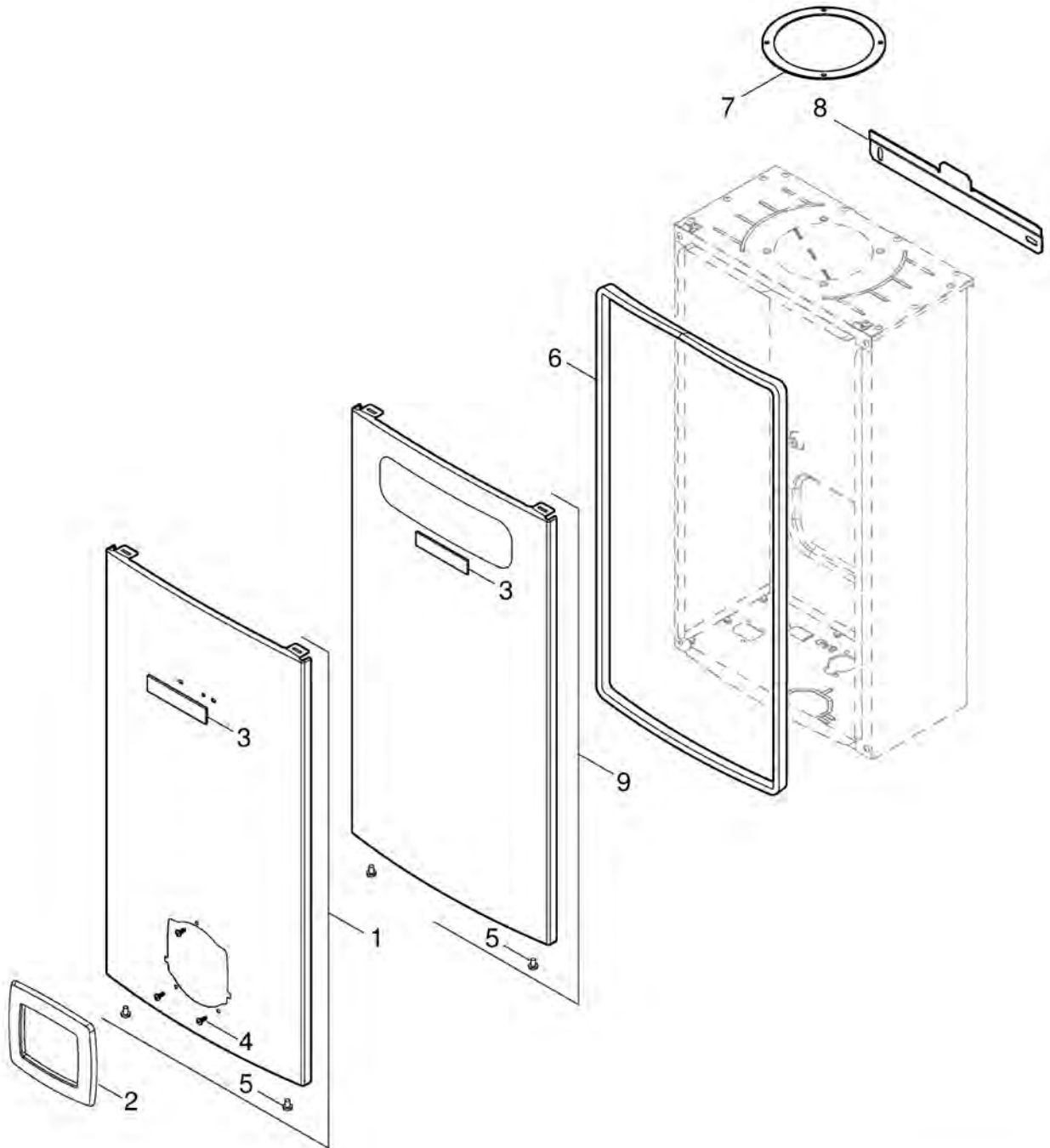


GWH12/16/20 1 CTD E...



Spare parts list



6720907399.AB JF

Front cover

GWH12/16/20 1 CTD E...

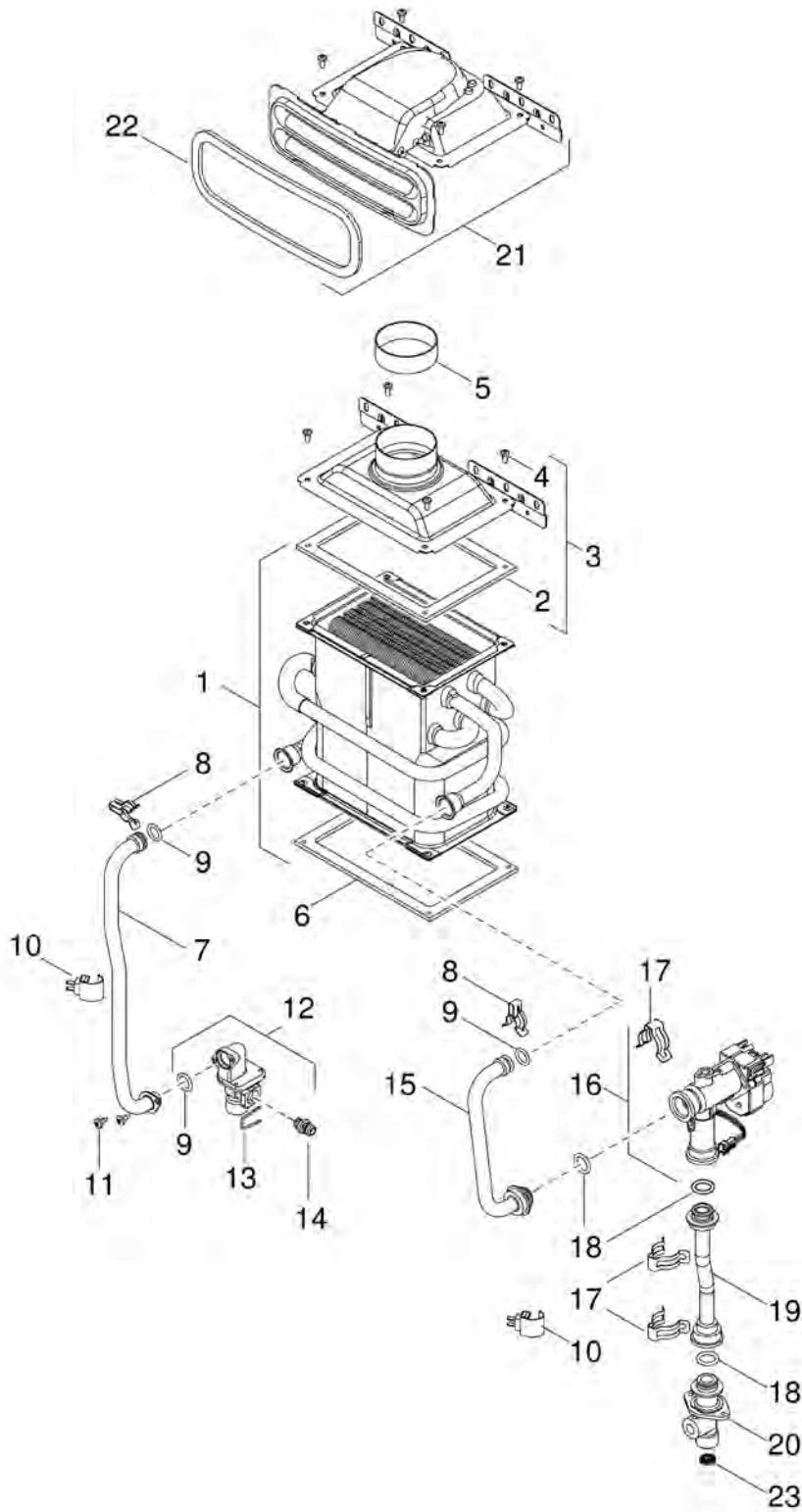
1

Pos	Description	Ordering no.	PG	Gas type	GWH12...	GWH12... L...	GWH12... O...	GWH12... OL...	GWH16...	GWH16... L...	GWH20...	GWH20... L...														Remarks																
1	Front shell	8 738 708 268	35		■	■																																				
1	Front shell	8 738 708 475	34						■	■	■	■																														
2	Facia	8 738 703 041 0	15		■	■			■	■	■	■																														
3	Trade mark badge	8 738 708 269	20		■	■	■	■	■	■	■	■																														
4	Screw (10x)	8 703 401 083 0	15		■	■			■	■	■	■																														
5	Screw 4,8x9,5 (10x)	2 910 614 431 0	11		■	■	■	■	■	■	■	■																														
6	Rubber seal 12/15L	8 738 703 325 0	18		■	■	■	■																																		
6	Rubber seal 18L	8 738 703 326 0	19						■	■	■	■																														
7	Washer	8 716 140 939 0	15		■	■			■	■	■	■																														
8	Holding bracked	8 738 709 652	15		■	■	■	■	■	■	■	■																														
9	Front shell	8 738 708 474	35				■	■																																		

GWH12/16/20 1 CTD E...

Front cover

Spare parts list



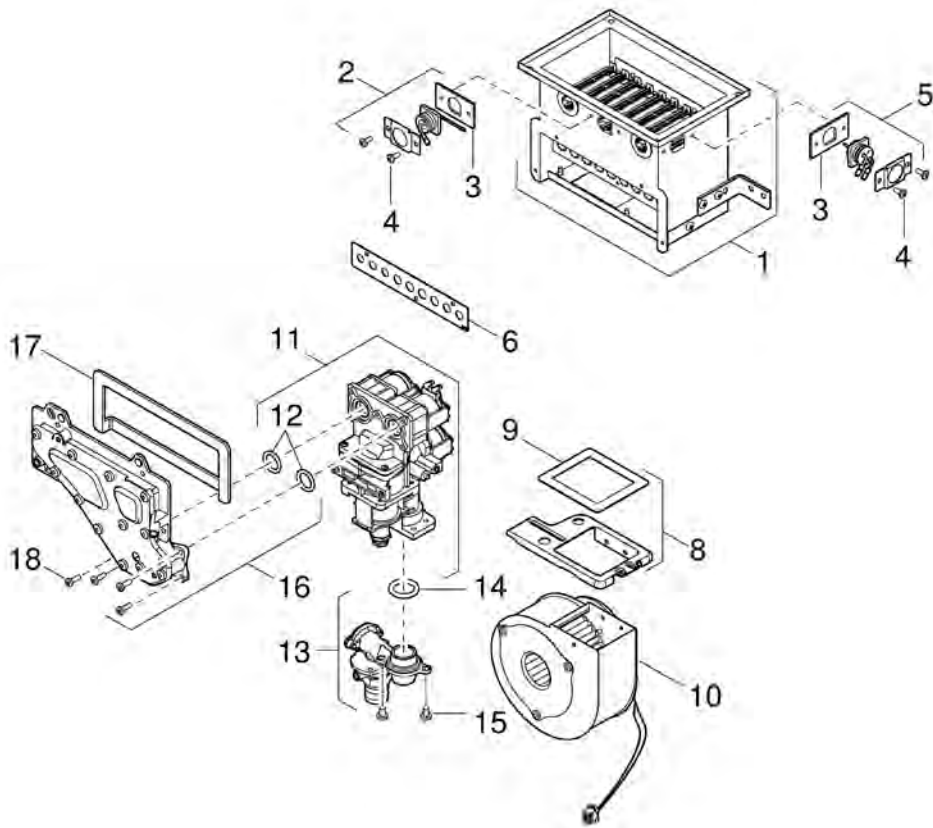
6720907400.AA JF

Heating body

GWH12/16/20 1 CTD E...

2

Spare parts list



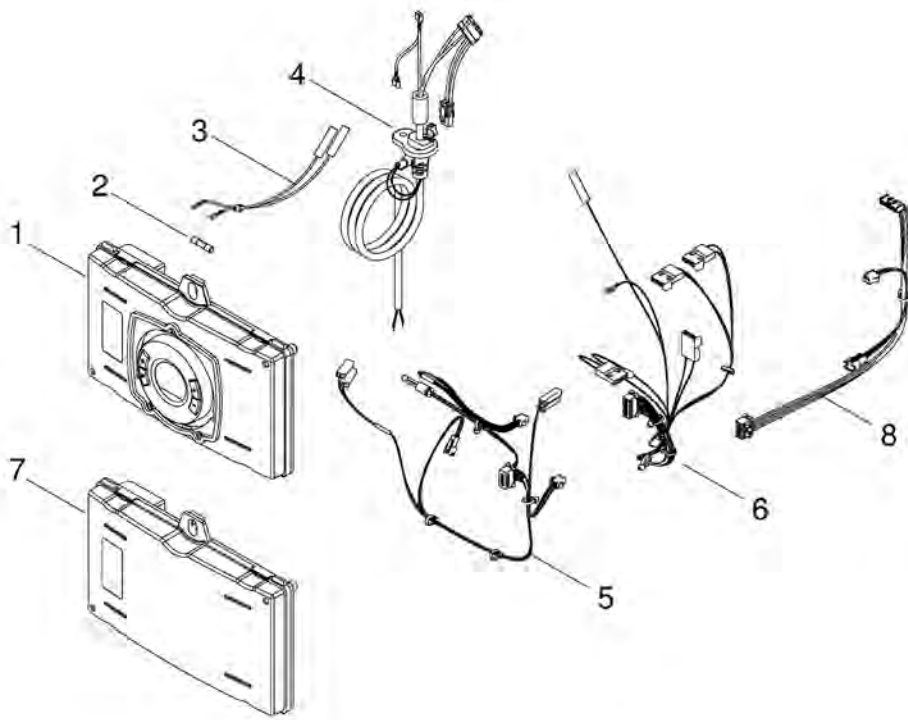
6720907299.AA JF

Burner/Fan/Gas valve

GWH12/16/20 1 CTD E...

3

Spare parts list



6720907401.AA JF

Control box

GWH12/16/20 1 CTD E...

4

Types of appliances

Appliance	Ordering no.	Country	S-Nr.	Remarks
GWH12 1 CTD E23 F3 O S2405	7 736 502 491	Australia		
GWH12 1 CTD E23 F3 OL S2405	7 736 502 493	Australia		
GWH12 1 CTD E23 F5 L S2405	7 736 502 489	Australia		
GWH12 1 CTD E23 F5 S2405	7 736 502 487	Australia		
GWH12 1 CTD E31 F3 O S2405	7 736 502 492	Australia		
GWH12 1 CTD E31 F3 OL S2405	7 736 502 494	Australia		
GWH12 1 CTD E31 F5 L S2405	7 736 502 490	Australia		
GWH12 1 CTD E31 F5 S2405	7 736 502 488	Australia		
GWH16 1 CTD E23 F5 L S2405	7 736 502 497	Australia		
GWH16 1 CTD E23 F5 S2405	7 736 502 495	Australia		
GWH16 1 CTD E31 F5 L S2405	7 736 502 498	Australia		
GWH16 1 CTD E31 F5 S2405	7 736 502 496	Australia		
GWH20 1 CTD E23 F5 L S2405	7 736 502 501	Australia		
GWH20 1 CTD E23 F5 S2405	7 736 502 499	Australia		
GWH20 1 CTD E31 F5 L S2405	7 736 502 502	Australia		
GWH20 1 CTD E31 F5 S2405	7 736 502 500	Australia		



Bosch Thermotechnik GmbH
Junkersstr. 20-24
D-73249 Wernau / Germany