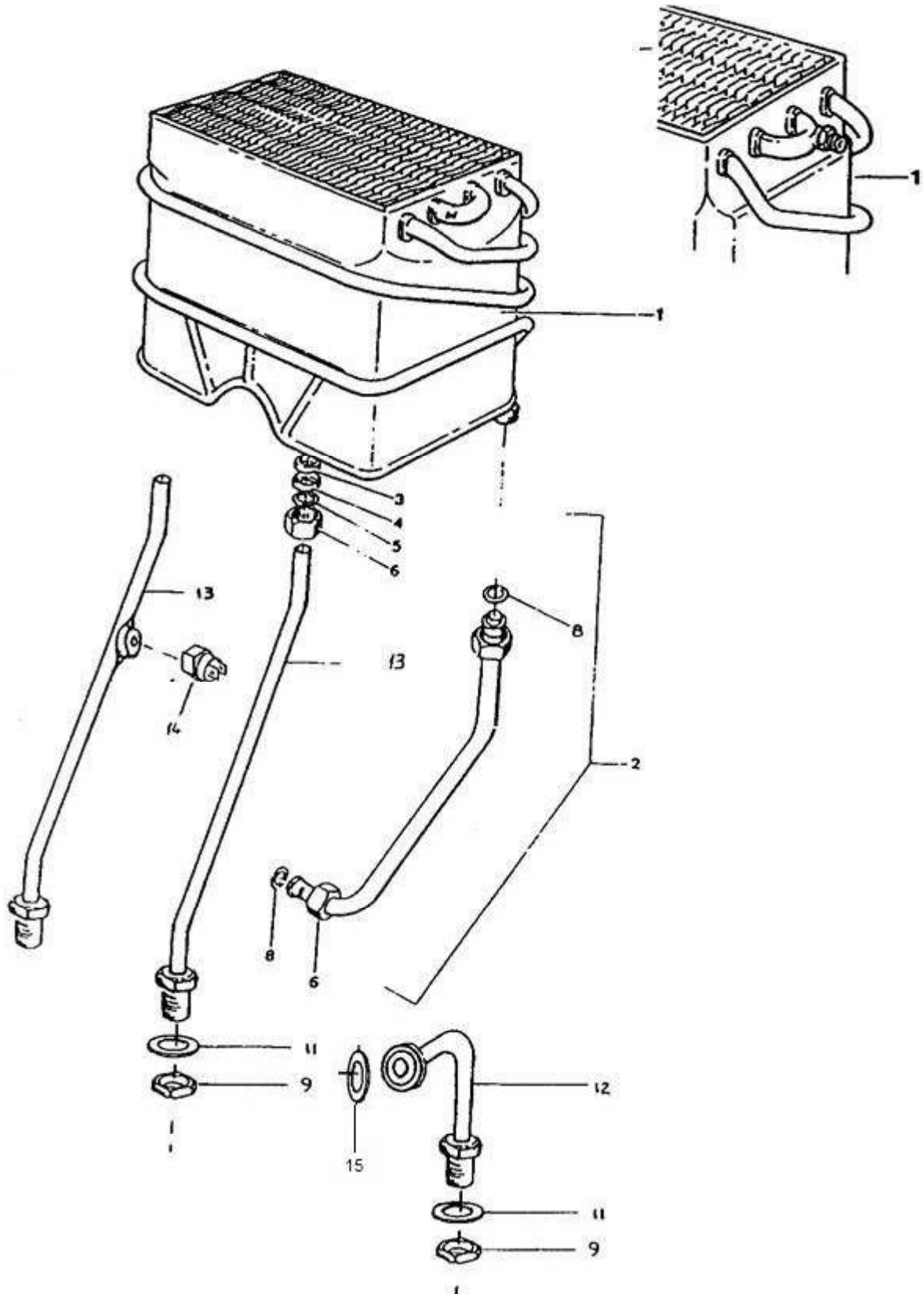


Position	Part Number	Description	Comments
1	97080655680	Front Cover	
2	97080651070	Rear Panel inc Flue	
3	97080610220	Glass Door	
3.1	97080610230	Pilot Window	
5	97080634160	Screw	
6	97080610250	Draught Seal	

**BOSCH**

Invented for life



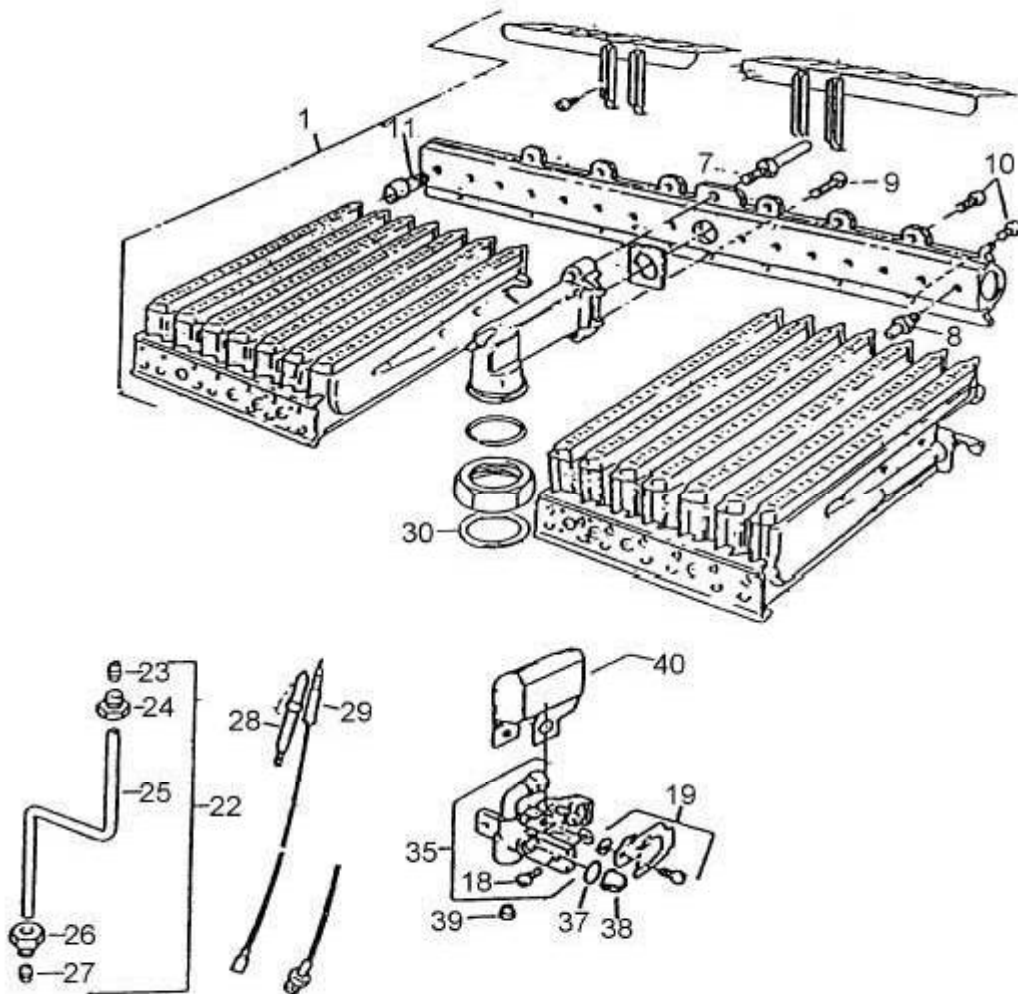
Position	Part Number	Description	Comments
1	87054062440	Heat Exchanger	
2	87007055330	Pipe Assembly	
3	87002030040	Sealing Washer	
4	87005000040	Dished Washer	

5	87001000080	Flat Washer	
6	8713301001	Nut	
6	8703301081	Nut	
8	87101030450	Sealing Washer	
9	99030630090	Locknut	
11	97080610240	Washer	
12	97080600200	Cold Pipe Assembly	
13	8732700493	Hot Pipe	
14	87072060170	Temperature Switch	
15	9701806111	Fibre Inlet Washer	Blue



**BOSCH**

Invented for life



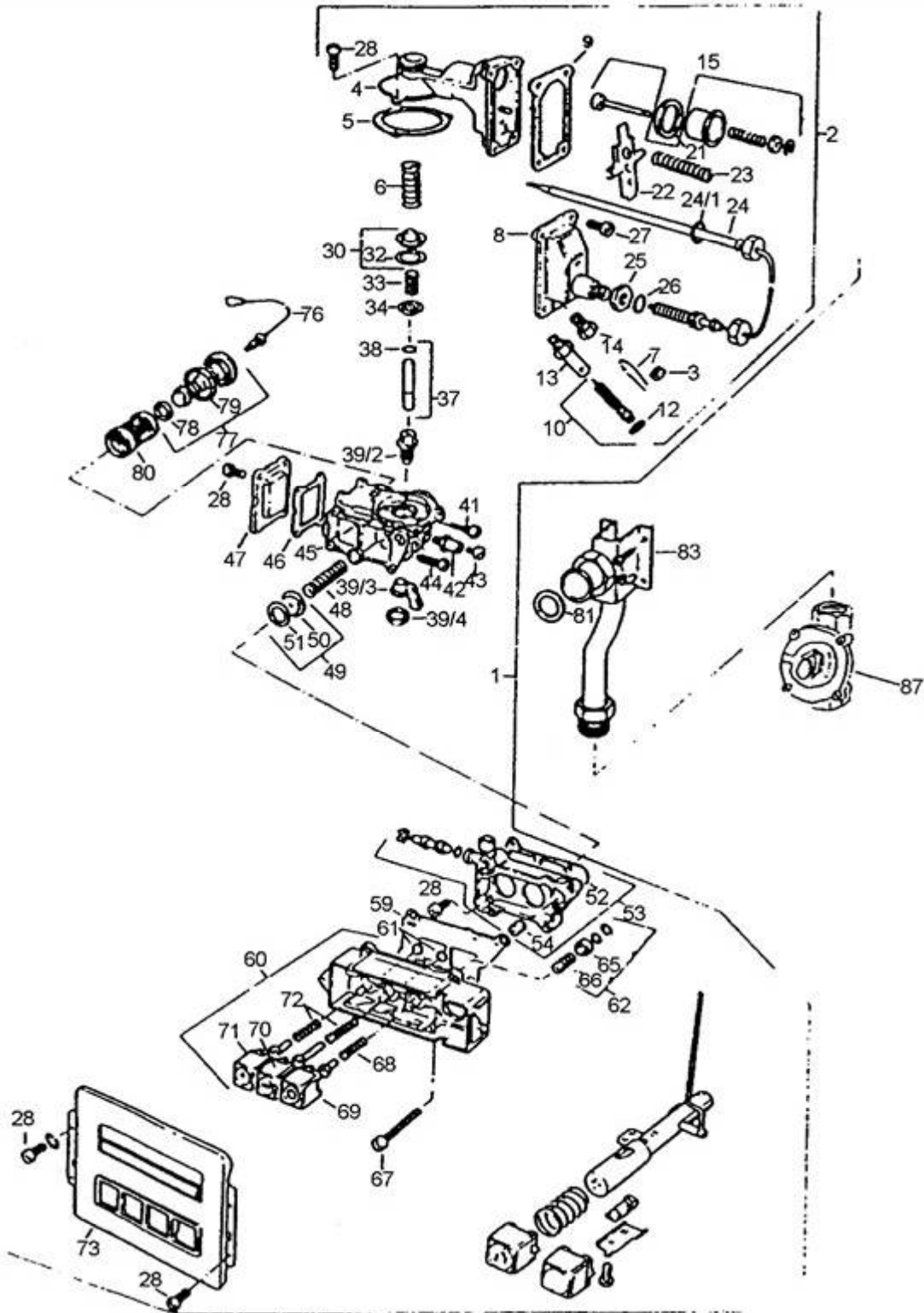
INJECTOR	SIZES	TOWN GAS	NATURAL GAS	LPG
TF250	P/N	8 708 202 120	8 708 202 124	8 708 202 132
	SIZE (mm)	∅ 2.15	∅ 1.20	∅ 0.75
TF325	P/N	8 708 202 121	8 708 202 147	8 708 202 149
	SIZE (mm)	∅ 2.25	∅ 1.30	∅ 0.79
TF325TR	P/N	8 708 202 121	8 708 212 116	8 708 202 149
	SIZE (mm)	∅ 2.25	∅ 1.25	∅ 0.79

Position	Part Number	Description	Comments
1	87081202600	Main Burner	NG
1	87081202620	Main Burner	LPG
7		Screw	Part not known
8	8708202147	Injector	NG 1.3mm
8	8708202132	Injector	LPG 0.79mm
9			Part not known
10	8703401069	Screw	
11	8703305191.0	Pressure Test Point	

19	87013090610	Holding Bracket	
22	8710707166	Universal Pilot Pipe	
23	8703305192 use 8710707166	Olive	
24	8703406008 use 8710707166	Threaded Bush	
25	use 8710707166	Pilot Pipe Assembly	Not available seperately
26	8703305193	Threaded Bush	
27	8703305193	Olive	
28	87081070020	Electrode	
29	87472020950	Thermocouple	Dual wire
30	87101030600	Sealing Washer	
35	8718105049	Pilot Burner	Order spud if necessary - item 39
37			Part not known
38	8700507055	Screen	
39	87082000680	Spud	NG
39	8708200069	Storm Pilot Spud	NG
39	87082000060	Spud	LPG
40	87013090630	Shield	

**BOSCH**

Invented for life



13

Position	Part Number	Description	Comments
1	87070110980	Gas Valve	NG
1	87070110990	Gas Valve	LP
2	8707206035	Flow Thermostat	NG
2	8707206036	Flow Thermostat	LPG
3			Part not known

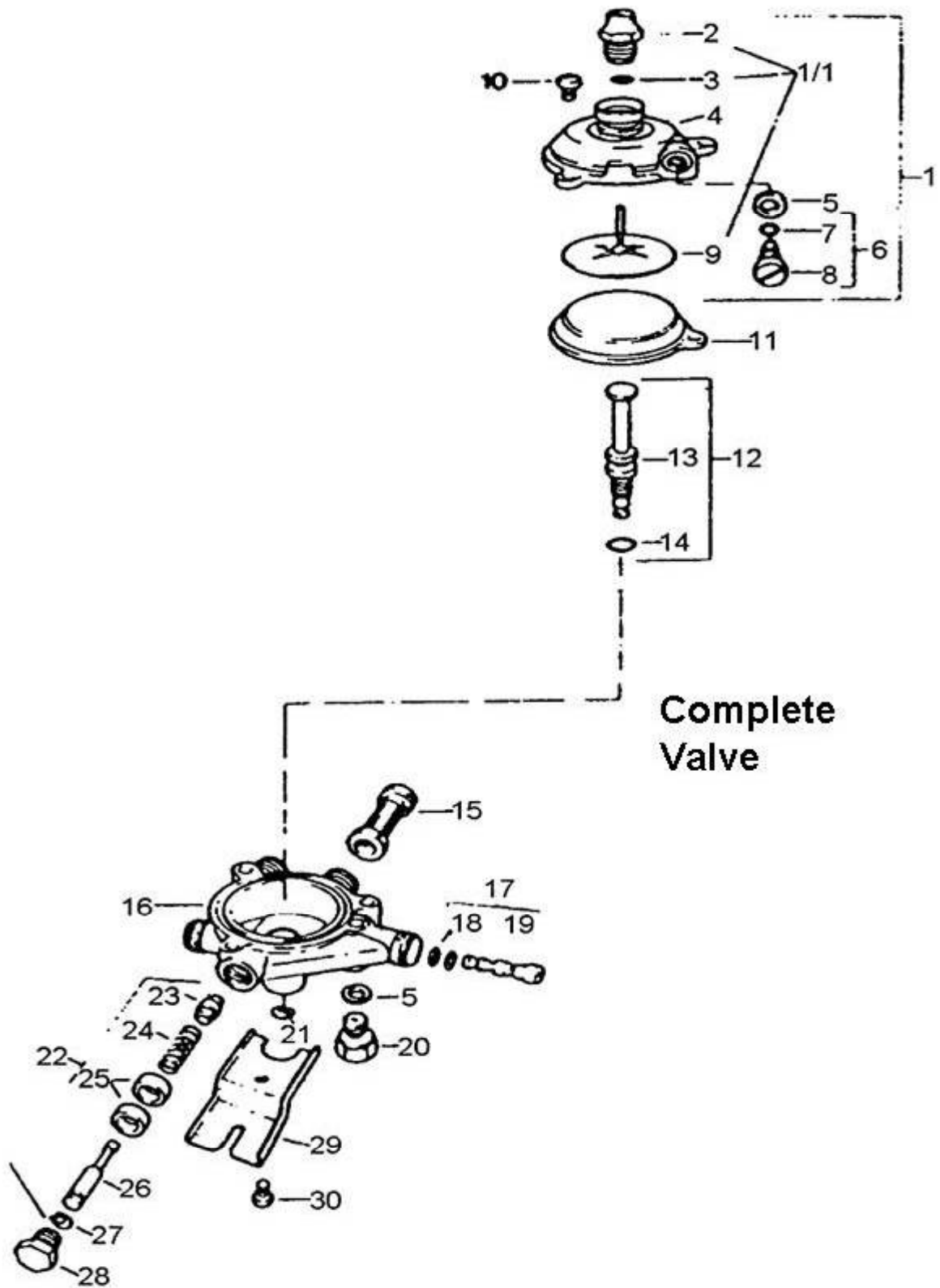
4			Part not known
5	8701004016	Gasket	
6	87046030630	Spring	
7			Part not known
8			Part not known
9	8701004024	Gasket	
10	8703404091	Setting Screw	
10	8703404091	Setting Screw	
12			Part not known
13			part not known
14			Part not known
15	8707400107	Thermostat Insert	NG
15	8707400104	Thermostat Insert	LPG
21	8700203024	Sealing Ring	
22	8701901009	Lever	
23	8704603111	Spring	
24	8707206039	Thermostat	
24.1	87002051010	O ring	
25	8703300021	Nut	
26	87002051010	O ring	
27	8743401002	Screw	
28			Part not known
28			Part not known
28			Part not known
28			Part not known
30	8708501130	Valve Head Assy	
32			Part not known
33			Part not known
34			Part not known
37	8703101077	Valve Stem	
38			Part not known
39.2	8700306081	Guide Bush	
39.3			Part not known
39.4			Part not known
41	8703407009	Cross Ignition Bolt	NG
41	8713407004	Cross Ignition Bolt	LPG
42			No part number
43	8713401015	Screw	
44	87034010510	Screw	

45			Part not known
46	8701004015	Gasket	
47	8700500055	Cover	
48	8704603080	Spring	
49	8708501125	Valve Head	
50			Part not known
51			Part not known
52	8701004013	Gasket	
53			Part not known
53			Part not known
59	8701004014	Gasket	
60	8707011160	Push Button Assembly	
61			Part not known
62			Part not known
65			Part not known
66			Part not known
67	8703401055	Screw	
68			Part not known
69	8700506028	Off Button	Blue
70			Part not known
71	8700506026	Pilot Button	Blue
72			Part not known
73	8705700021	Face Plate	Dark Grey
76	87472020780	Thermo Connect	
77	8747201094	Magnetic Unit	
78			Part not known
79	87001030230	Sealing Washer	
80	8700507051	Filter	
81	8700103142	Sealing Washer	
83	87007055080	Gas Supply Pipe	NG
83	87007053520	Gas Supply Pipe	LPG
87	F005X06316	Regulator	



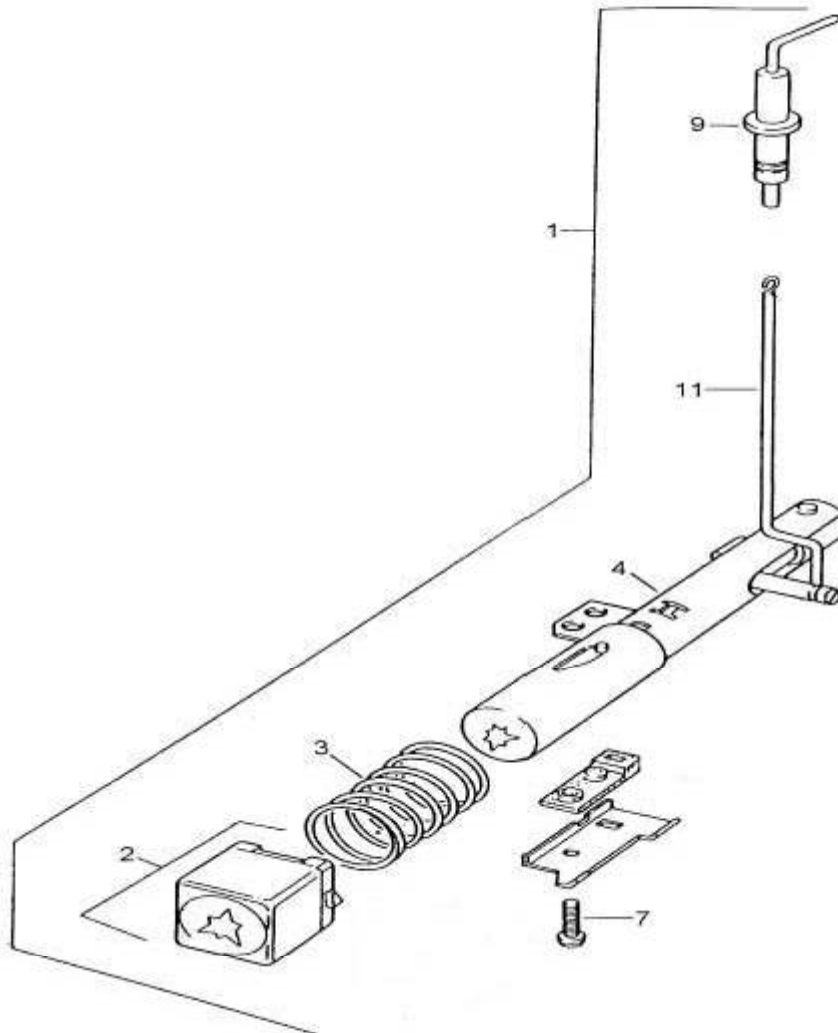
**BOSCH**

Invented for life



Position	Part Number	Description	Comments
1	8705500142	Cover Assembly	
1.1	8700503037	Water Section Repair Kit	Includes Diaphragm
1.2	8707002393	Complete Valve	

2	8703406138	Gland Screw	
3	No Longer Available	O Ring	O ring NLA Replace cover 8705500142
4			Part not known
5	8700103006	O ring	
5	8700103006	Sealing Washer	
6	8708503063	Slow Ignition Valve	
7	8740205009	O ring	
8			Part not known
9	8700503013	Bearing Plate	
11	8700503100	Diaphragm	
12	8703404092	Setting Screw	
13			Part not known
14	8700205050	O ring	
15	8700507059	Water Filter	
16			Part not known
17	8708205235	Venturi Assy	
18	8700205007	O ring	
19			Part not known
20	8707401022	Blow off valve	
21	2916080807	Circlip	
22	8708500230	Valve Assy	
23			Part not known
24			Part not known
25	8708500230	Valve Assy	
26			Part not known
27			Part not known
28			Part not known
29			Part not known
30			Part not known



Position	Part Number	Description	Comments
1	8708108011	Ignitor assembly	
2	8700506030	Ignitor Button	Red
3	8704603085	Spring	
4	8748108009	Piezo Ignitor	
7	8703401053	Screw	
9	8708107001	Ignitor	
11	8704400054	High Tension Cable	