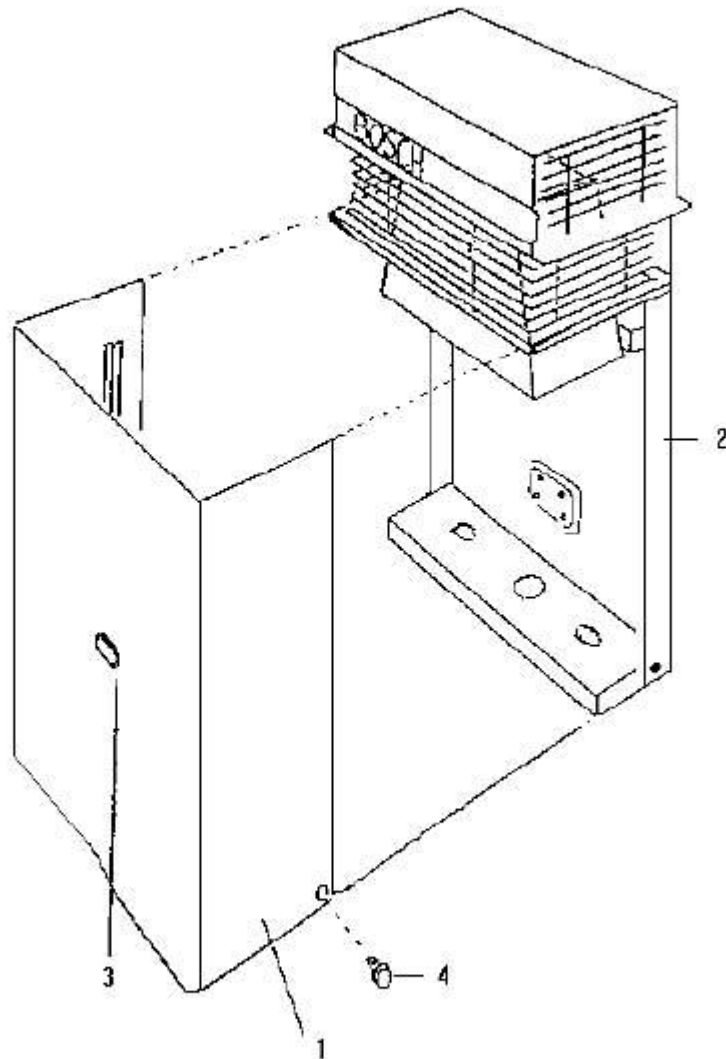




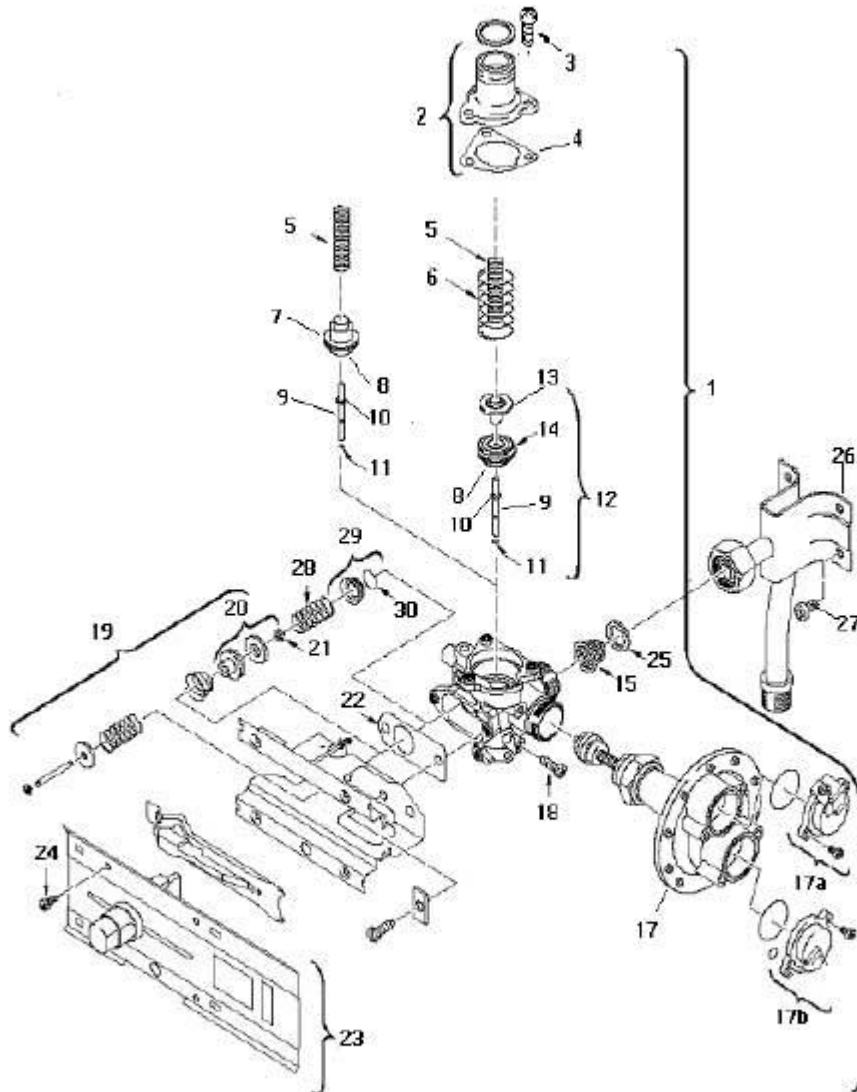
BOSCH
Invented for life



Position	Part Number	Description	Comments
1	8716487614	Front Cover	
2	F005W10003.ZG1	Rear Housing inc Flue	
3	9708061023.ZG1	Viewing Window	
4	9708063416.ZG1	Thumb Screw	



BOSCH
Invented for life

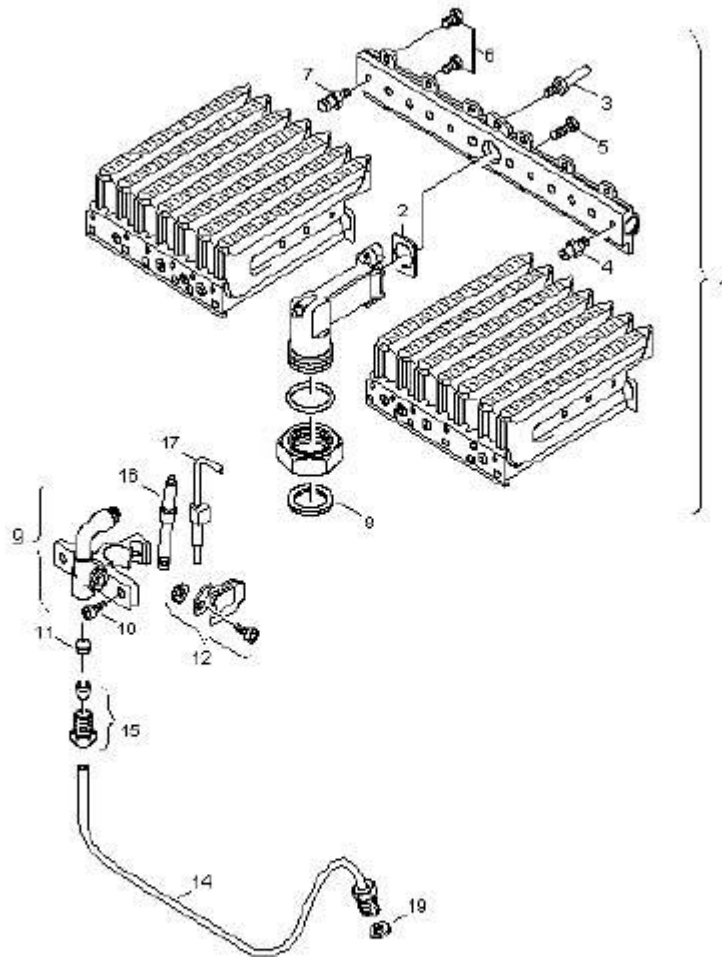


Position	Part Number	Description	Comments
1	8707011979 or 8707011671.ZG1 for NZ	Gas Valve	NG
1	8707011199	Gas Valve	LPG

2		Throttle Housing	Part not known
3	8743401002	Screw	
4	8701004001	Gasket	
5	8704603067	Compression Spring	
6	8704603118	Compression Spring	LPG
7	8708501255	Poppet Valve	
8		Valve Seal	Part not known
9	8703101057	Valve Stem	Part not known
10		Retaining Ring	
11	8740205002	O ring	
12	8708500246	Poppet Valve	LPG
13		Poppet Valve Head	Part not known
14			Part not known
15	8700507002	Gas Filter	
17	8708504021	Diaphragm Switch	NG
17	8708504049	Diaphragm Switch	LPG
17.1	8708501249	Pilot Solenoid	Orange
17.2	8708501250	Main Solenoid	Green
18	8703401051.ZG1	Screw	
19	8708008009	Valve Operation Housing	
20	8708500239	Poppet Valve Head	
21	2916080904	Retaining Ring	
22	8701004020	Gasket	
23	8701000312	Guide Plate	
24		Screw	Part not known
25	8700103014.ZG1	Gas Inlet Washer	
26	8700705508.ZG1	Gas Pipe	NG
26	8700705422.ZG1	Gas Pipe	LPG
27		Screw	Part not known
28	8704603094	Compression Spring	
29	8708501232	Poppet Valve Head	
30	8700205087	O ring	



BOSCH
Invented for life

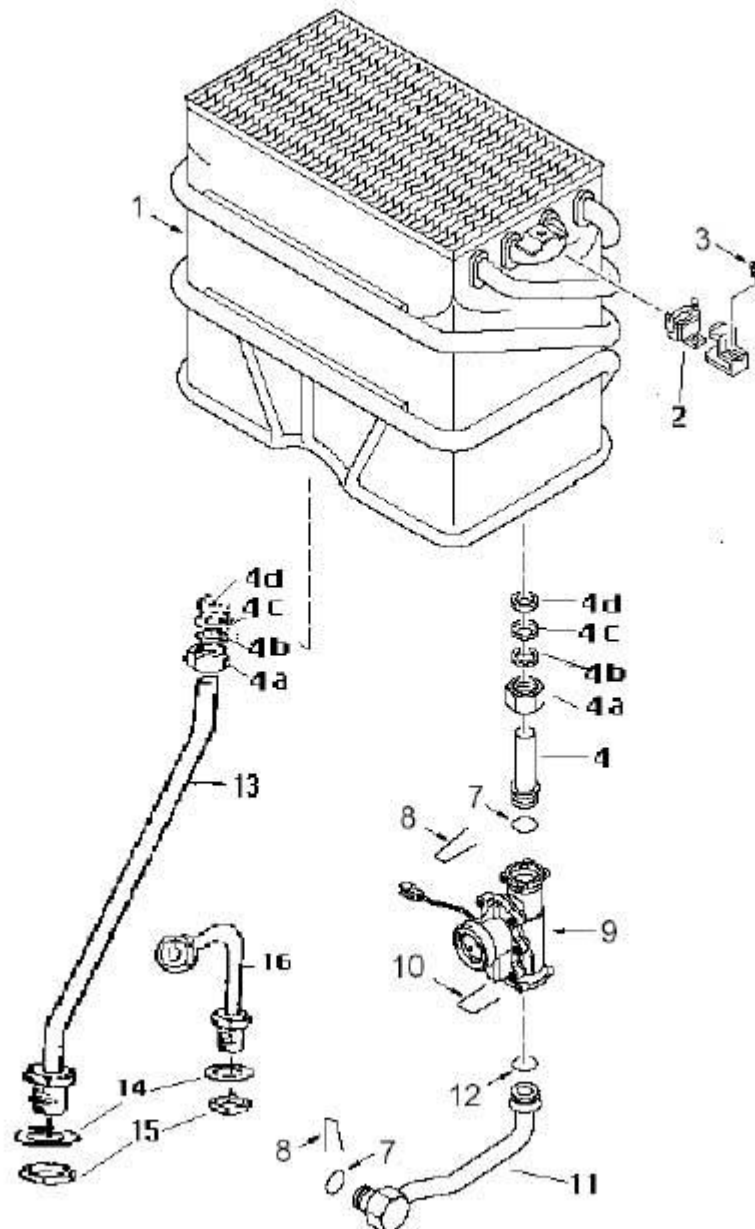


Position	Part Number	Description	Comments
1	8708120260.ZG1	Main Burner	NG
1	8708120271.ZG1	Main Burner	LPG
2	8701003010	Manifold Washer	
3		Screw	Part not known

4	8708202147	Injector	NG
4	8708202139	Injector	LPG
5	2910952122	Screw	
6	8703401069	Screw	
7	8703305191	Test Point	
8	8710103060.ZG1	Burner Washer	
9	old 8708105640 new 8738708697	Pilot Burner	NG
9	8708105535	Pilot Burner	LPG
10	8703401053	Screw	
11	8708200002	Pilot Injector (Spud)	NG
11	8708200069	Storm Pilot Injector (Spud)	NG
11	8708200312	Pilot Injector (Spud)	LPG
12	8701309061.ZG1	Clamp Assembly	
14	8700707349	Pilot Pipe	
15	8703406008	Nut	
15	8703305192	Olive	
16	8708107006	Electrode	
17	8708107007	Flame Rod	
19	8700103173.ZG1	Sealing Washer	



BOSCH
Invented for life

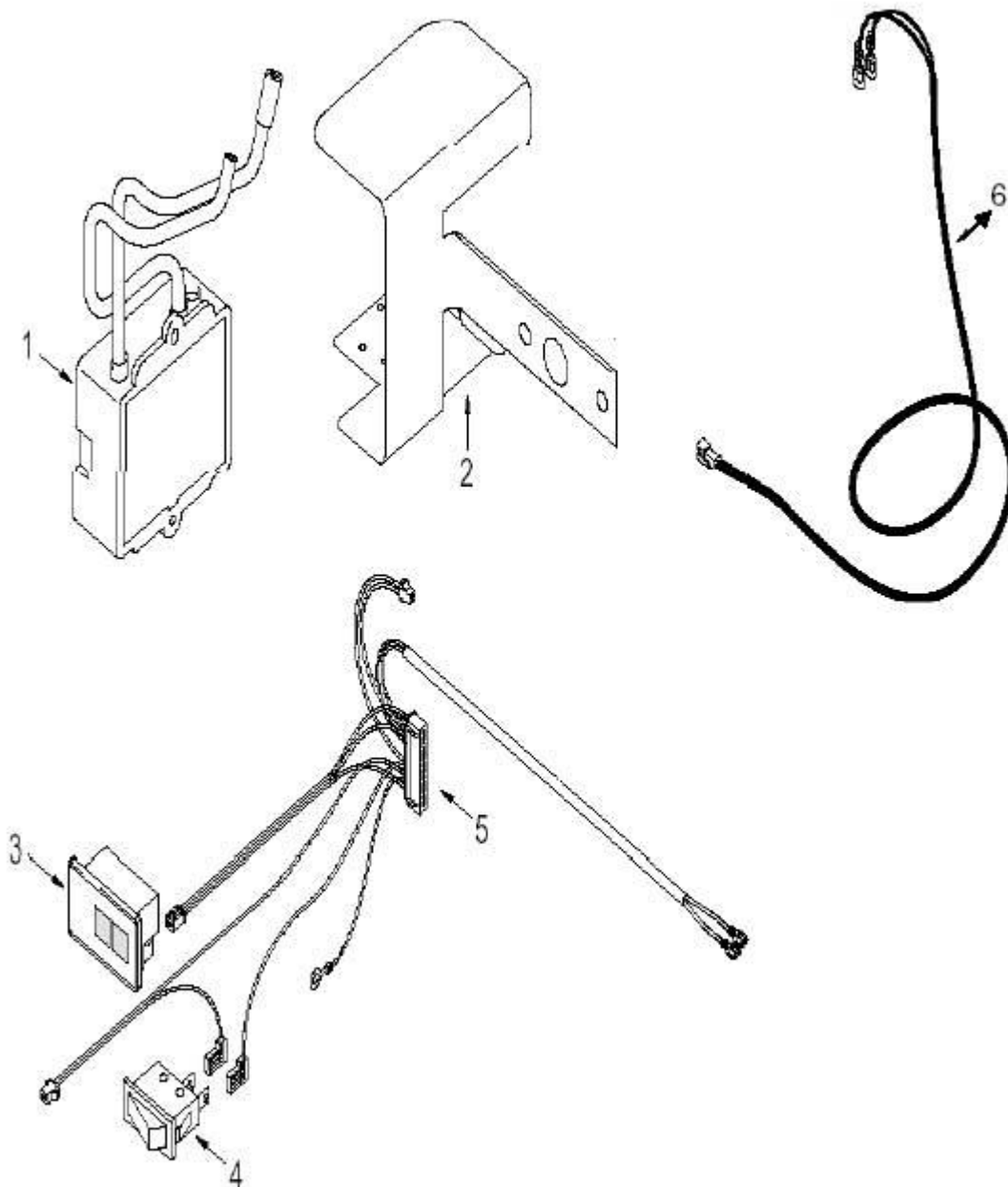


Position	Part Number	Description	Comments
1	8705406380	Heat Exchanger	
2	8707206151.ZG1	Temperature Limiter	Ceramic type
2	8707206435	Temperature Limiter	Clip on type
3	2910951116.ZG1	Screw	

4	8700705972	Connecting Pipe	
4.1	8703301081	Nut	
4.2	8700100008.ZG1	Flat Washer	
4.2			
4.3	8700500004.ZG1	Dished Washer	
4.4	8700203004.ZG1	Rubber Washer	
7	8700205023	O ring	
8	8704705025	Retaining Clip	
9	8707406104	Hydrogenerator	Previously 8707406058
10	8704705030	Retaining Clip	
11	8700705947	Cold Water Pipe	
12	8700205133	O Ring	
13	F005W10021.ZG1	Hot Water Pipe	Part not known
14	9708061024.ZG1	Nylon Washer	
15	9903063009.ZG1	Lock Nut Brass	
16	9708063393.ZG1	Cold Water Inlet	



BOSCH
Invented for life

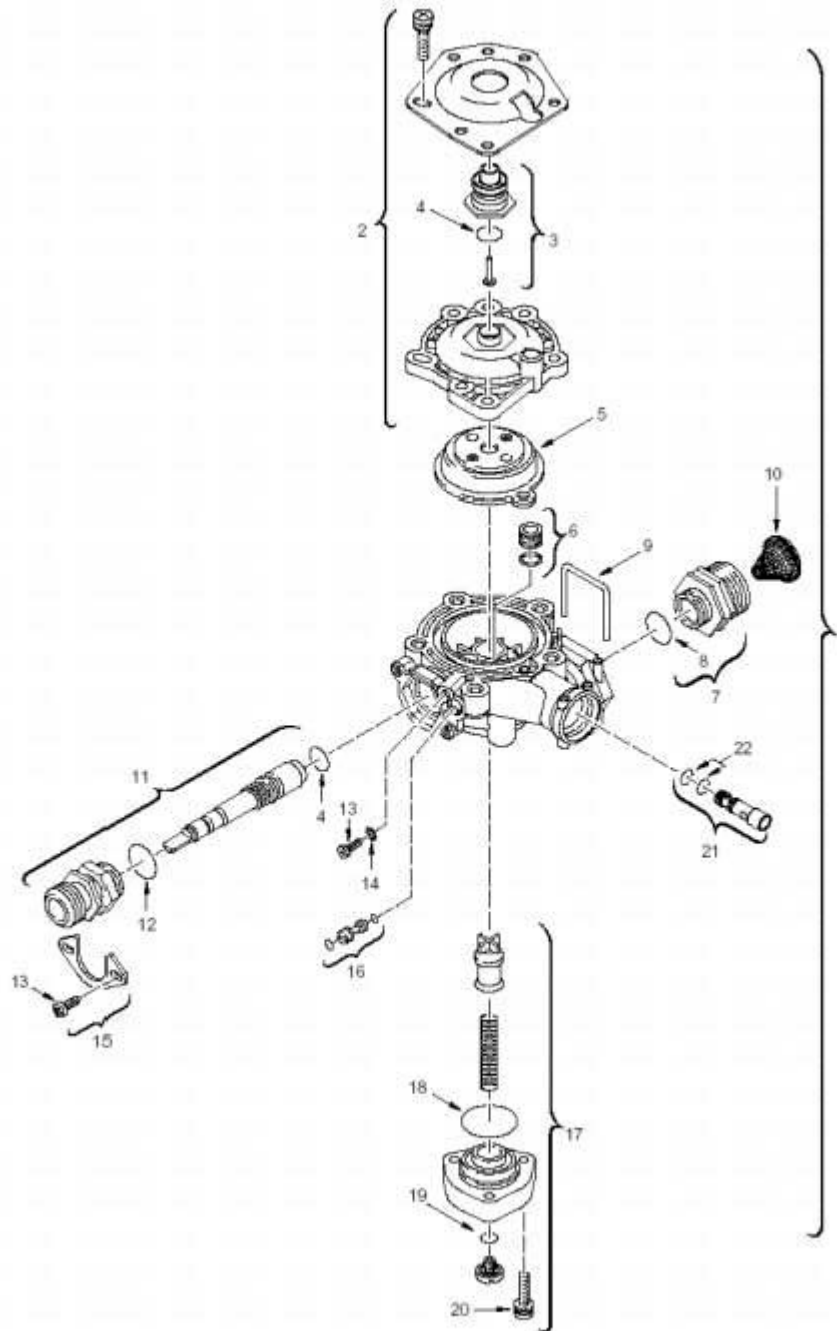


Position	Part Number	Description	Comments
1	8707207192	Ignition Unit	
2		Fixing Bracket	Part not known
3	8707305003	Light Emitting Diode	
4	8707200014	Switch	

5	8704404028	Set of cables	
6	8704404006	Cable	



BOSCH
Invented for life



Position	Part Number	Description	Comments
1	8707002708	Water Valve	
2	8705500101	Cover	
3	8700306114	Sleeve	
4	8710205007	O ring	

4	8710205007	O ring	
5	8700503053	Diaphragm	
6		Sleeve	Part not known
7		Sleeve	Part not known
8	8700205115	O ring	
9		Spring Wire	Part not known
10	8700507001	Water Filter	
11	8708500289	Selector Screw	
12		O ring	
13		Screw	Part not known
14	2916079006	Retaining Ring	
15		Plate	Part not known
16	8703502037	Plunger	
17	8705705027	Volumetric Water Governor	
18	8700205107	O Ring	
19	8700205041.ZG1	O ring	
20		Screw	
21	8708205279	Venturi	
22	8700205007	O ring	