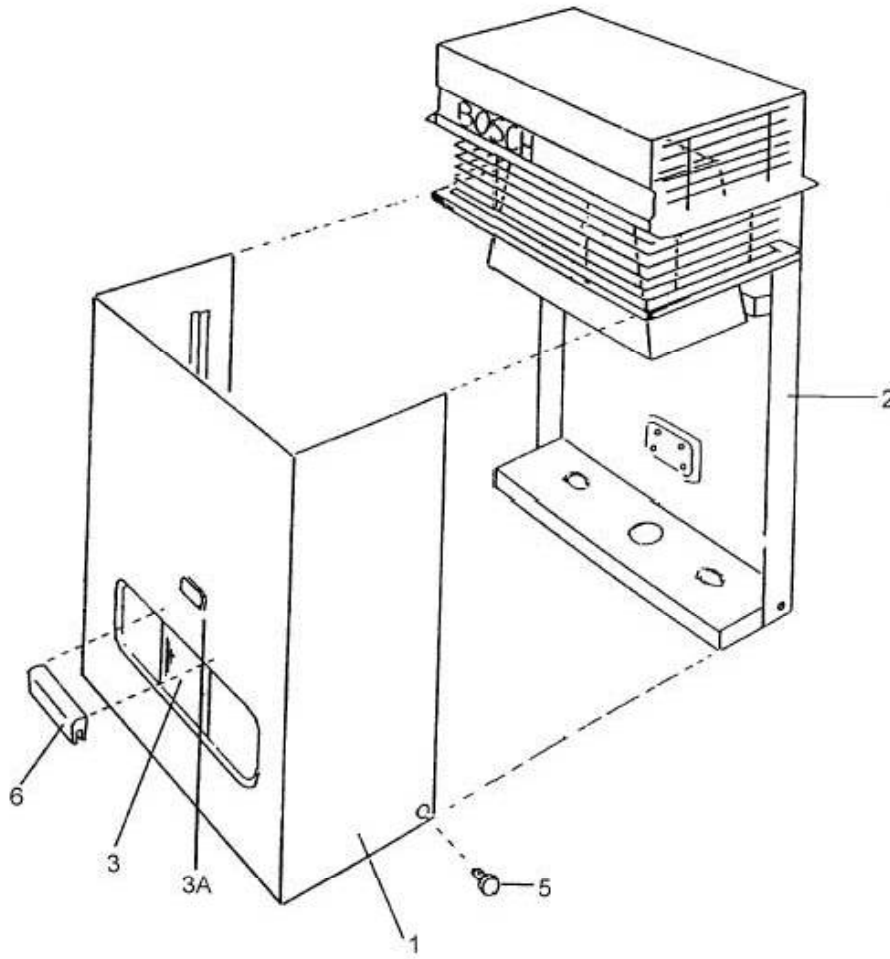


**BOSCH**

Invented for life

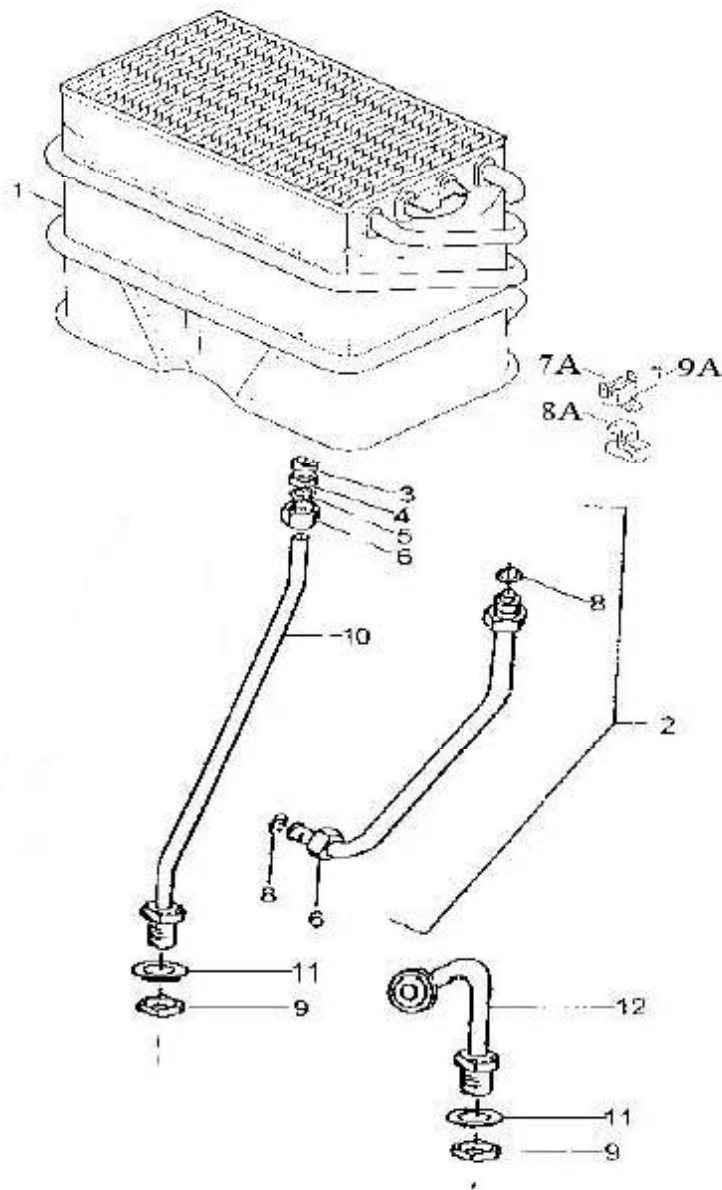


Position	Part Number	Description	Comments
1	97080655660	Front Cover	
1	97080655690	Front Cover	Kleenheat
2	97080651050	Rear Panel inc Flue	
2	97080651140	Rear Panel inc Flue	Kleenheat
3	97080610220	Glass Door	
3.1	97080610230	Pilot Window	
5	97080634160	Thumbscrew	
6	97080610250	Draught Seal	



BOSCH

Invented for life

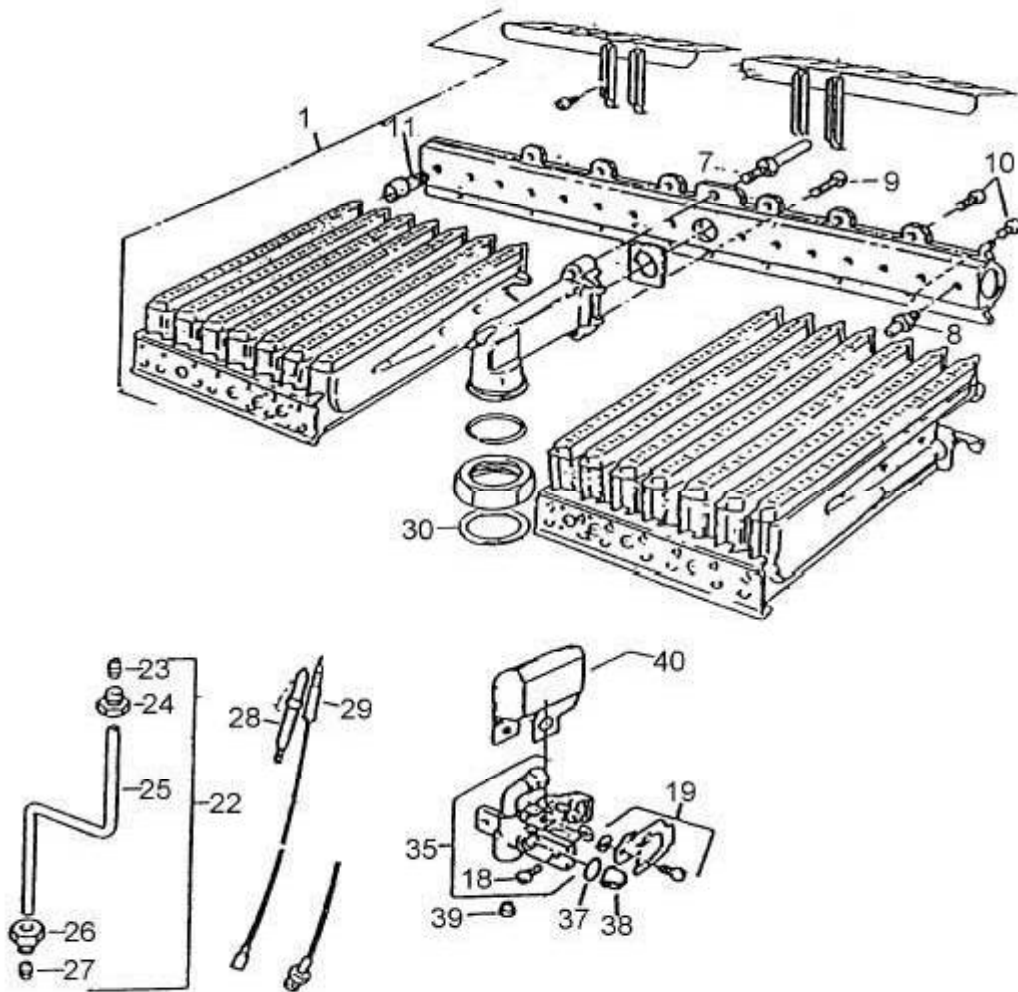


Position	Part Number	Description	Comments
1	8705406378	Heat Exchanger	
2	8700705482	Pipe Assembly - Cold	
3	87002030040	Sealing Washer	
4	87005000040	Dished Washer	
5	87001000080	Flat Washer	
6	8703301081	Nut	

7.1	87072061510	Overtemp Switch	Ceramic type
7.1	8707206435	Overtemp Switch	Clip on type
8	87101030450	Sealing Washer	
8.1	87113044730	Bracket	
9	99030630090	Lock Nut	
9.1	29109511160	Screws	
10	97080633940	Connecting Pipe - Hot	
11	97080610240	Washer - Nylon	
12	97080633930	Connecting Pipe - Cold	
12	9701806111	Cold Inlet Washer	

**BOSCH**

Invented for life



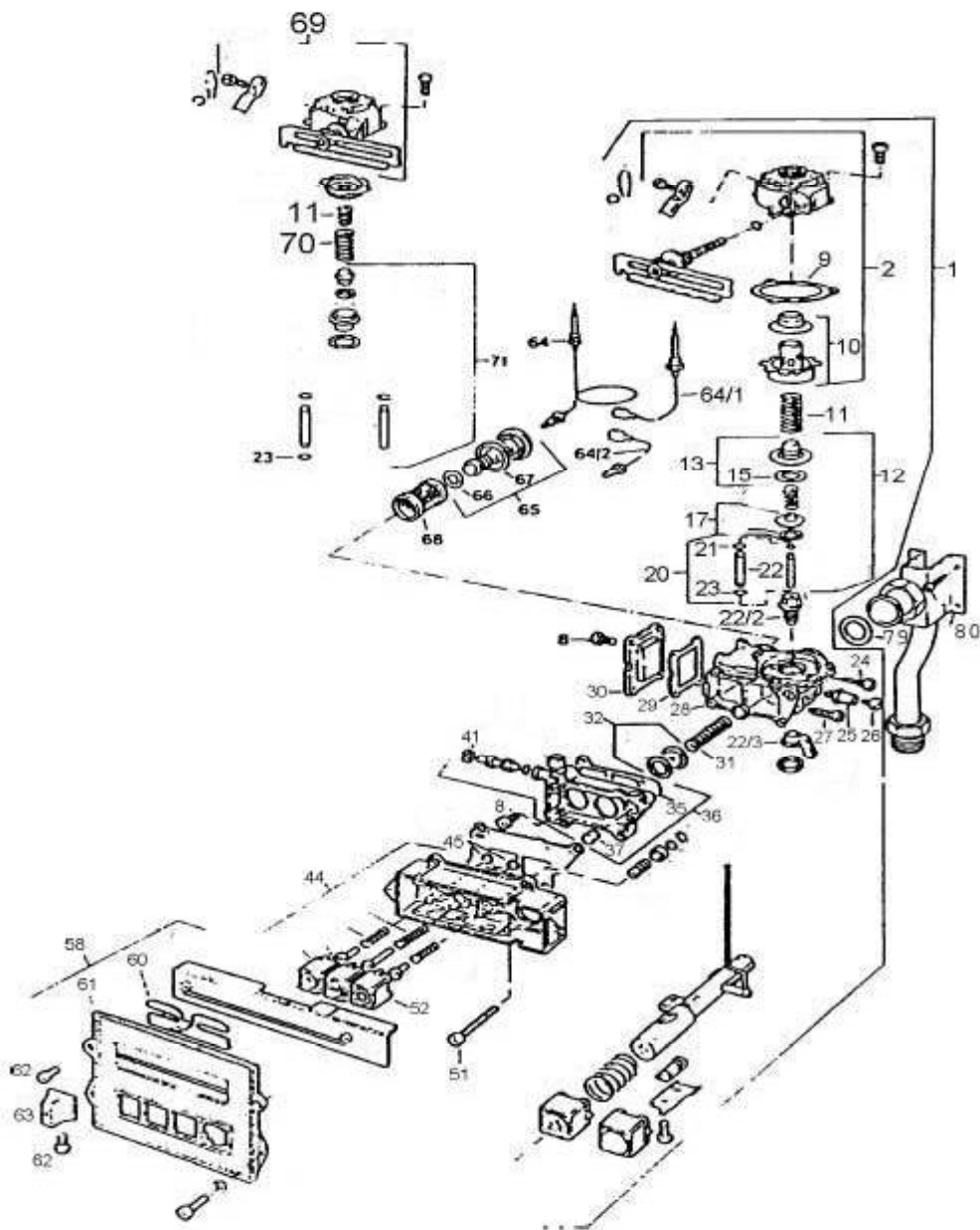
INJECTOR	SIZES	TOWN GAS	NATURAL GAS	LPG
TF250	P/N	8 708 202 120	8 708 202 124	8 708 202 132
	SIZE (mm)	∅ 2.15	∅ 1.20	∅ 0.75
TF325	P/N	8 708 202 121	8 708 202 147	8 708 202 149
	SIZE (mm)	∅ 2.25	∅ 1.30	∅ 0.79
TF325TR	P/N	8 708 202 121	8 708 212 116	8 708 202 149
	SIZE (mm)	∅ 2.25	∅ 1.25	∅ 0.79

Position	Part Number	Description	Comments
1	87081200040	Main Burner	NG
1	8708120132	Main Burner	LPG
7		Screw	NLA
8	8708202124	Injector	1.2 mm NG
8	8708202132	Injector	0.75 LPG

9		Screw	NLA
10	8703401069	Screw	
11	8703305191.0	Pressure Test Point	
19	87013090610	Holding Bracket	
22	8710707166	Universal Pilot Pipe	
23	8703305192 use 8710707166	Olive	
24	8703406008 use 8710707166	Threaded Bush	
25	use 8710707166	Pilot Pipe Assembly	Not available seperately
26	8703305193	Threaded Bush	
27	8703305193	Olive	
28	87081070020	Electrode	
29	87072020580	Thermocouple	Double Wire with Boot- most common
29	8747202212	Thermocouple	Rigid 2 conductor-rarely used
29	87472020780	Thermocouple	Screw Connection
30	87101030600	Sealing Washer	
35	8718105049	Pilot Burner Assembly	Order spud if necessary - item 39
37		Spring Clip	supplied with 8700507055 - item 38
38	8700507055	Screen	
39	87082000680	Spud	NG
39	8708200069	Storm Pilot Spud	NG
39	87082000060	Spud	LPG
40	87013090630	Shield	

**BOSCH**

Invented for life



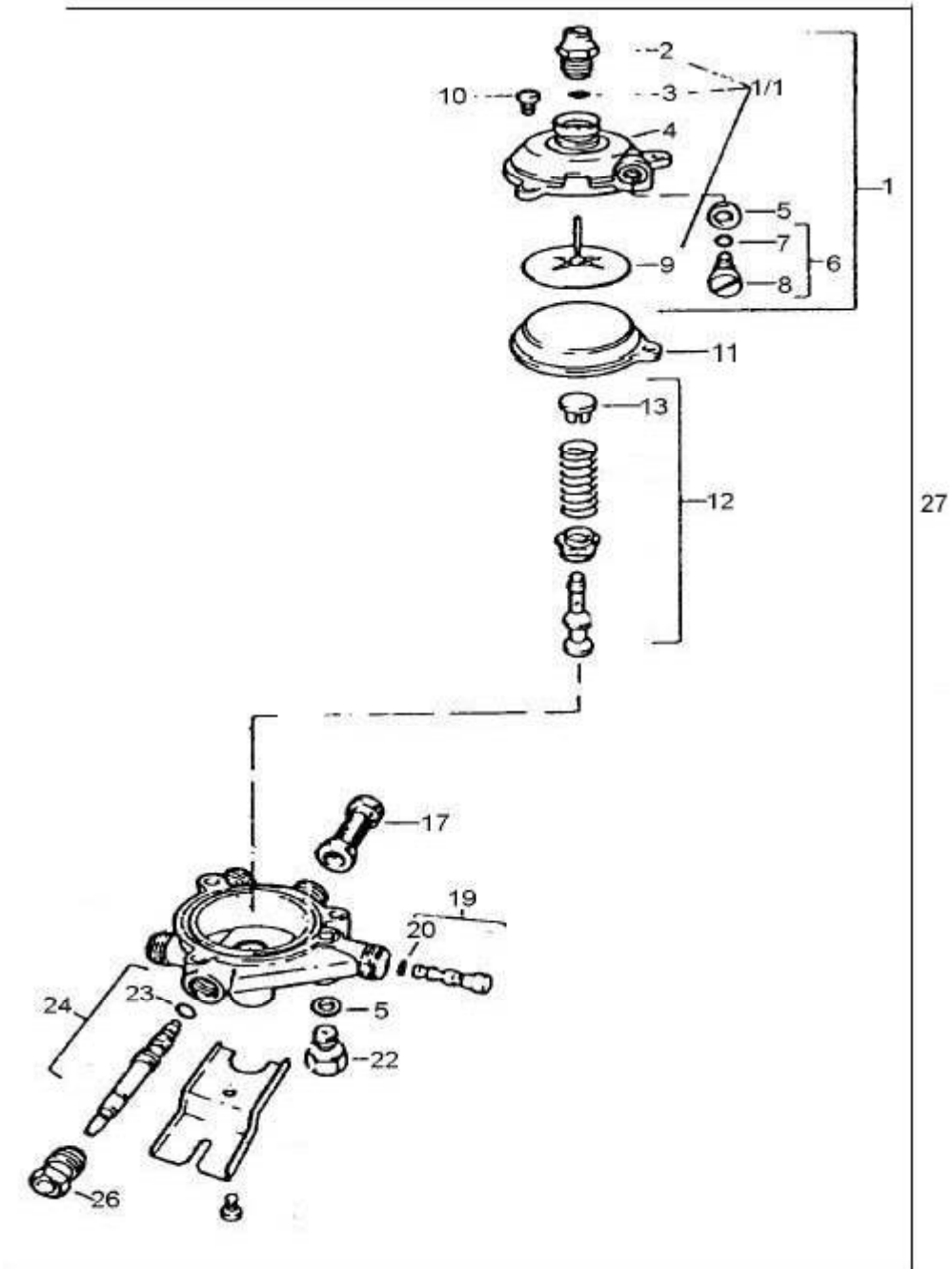
Position	Part Number	Description	Comments
1	87070018830	Gas Valve	NG
1	87070018689	Gas Valve	LPG
2	8707400087	Governor	NG
8			part not known
9	8701004016	Gasket	
10	8707400079	Governing Insert	NG

11	8704603057	Spring	Mains water pressure
11	87046030630	Spring	Low Water Pressure
12	8708501126	Poppet Valve	Mains Water Pressure
12	8708501137	Poppet Valve	Low Water Pressure
13	8708501130	Poppet Valve Head	NG
15			Part not known
17	8708501129	Poppet Valve	Mains Water Pressure
20	8703101057	Valve Stem	NG
21			Part not known
22	8703101039	Valve Stem	
22.2	8700306081	Guide Bush	
22.3		Drain Bush	Part not known
23	8740205002	O ring	
24	8703407018	Cross Ignition Bolt	NG
24	8713406011	Cross Ignition Bolt	LPG
25		Threaded Bush	Part Not Known
26	8713401015	Screw	
27	87034010510	Screw	
28			Part not known
29	8701004015	Gasket	
30	8700500055	Cover Plate	
31	8704603080	Spring	
32	8708501125	Valve Head	
35	8701004013	Gasket	
36			Part not known
41	8740107014	Shake Proof Washer	
44	8707011160	Push Button Assembly	
45			Part not Known
51	8703401055	Screw	
52	8700506028	Off Button	Blue
58	8705506002	Shield	
60	8701304106	Selector Guide	
61	8705700021	Shield Plate	
62	29106194090	Screw	
63	8702000079	Slide Knob	
64		Thermocouple	See Burner Section
64.1		Thermocouple	See Burner Section
64.2		Thermoconnect	See Burner Section

65	8747201094	Magnetic Unit	
66			Part not known
67	8700103025	Gasket	
68	8700507051	Gas Filter	
69	8700505057	Throttle Plate	NG
69	8700505052	Throttle Plate	LPG
70	8704603070	Spring	
71	8708501138	Poppet Valve	LPG
79	8700103142	Washer	NG
79	87001030140	Washer	LPG
80	87007054970	Gas Supply Pipe	NG
80	87007053520	Gas Supply Pipe	LPG

**BOSCH**

Invented for life

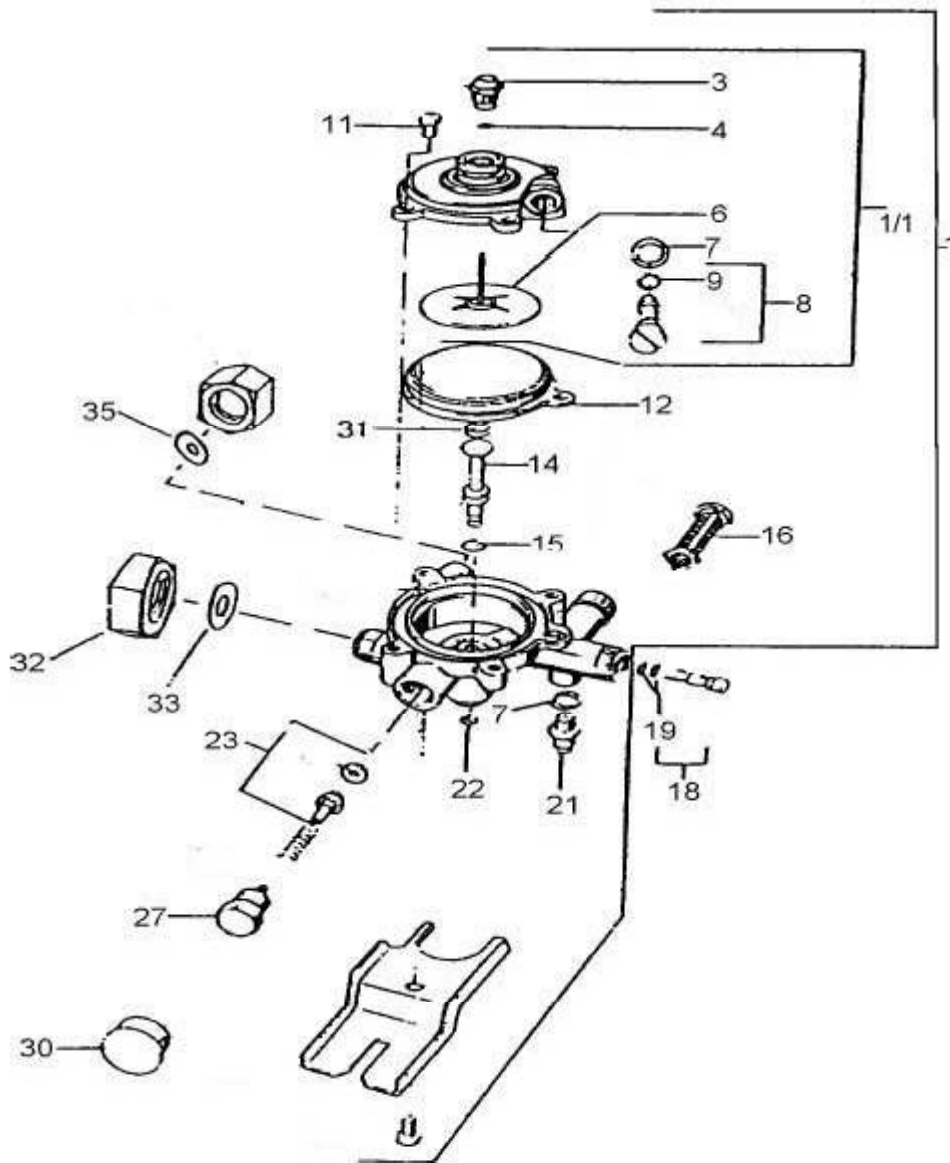


Position	Part Number	Description	Comments
1	8705500142	Water Valve Cover	
1.1	8700503037	Water Section Repair Kit	Includes Diaphragm
2	8703406138	Gland Screw	
3	No Longer Available	O Ring	O ring NLA Replace cover 8705500142
4			Part not known
5	8700103006	Washer	

5	8700103006	Washer	
6	8708503063	Slow Ignition Valve	NG
6	8708503049	Slow Ignition Valve	LPG
7	8740205009	O Ring	
8			Part not known
9	8700503013	Bearing Plate	
11	8700503100	Diaphragm	
12	8707402011	Governer	Mains Water Pressure
12	8707400067	Governer	Low Water Pressure
13	8710506012	Nylon Plug	
17	8700507059	Water Filter	
19	8708205185	Venturi	NG
19	8718205020	Venturi	LPG
20	8700205007	O Ring	
22	8707401022	Blowoff Valve	
23	8700205019	O Ring	
24	8708500161	Selector Screw	Mains Water Pressure
24	8708500162	Selector Screw	Low Water Pressure
26	8703406050	Threaded Bush	
27	8707002240	Mains Pressure Water Valve	Requires item 19 to suit
27	87070024800	Low Pressure Water Valve	Requires item 19 to suit

**BOSCH**

Invented for life

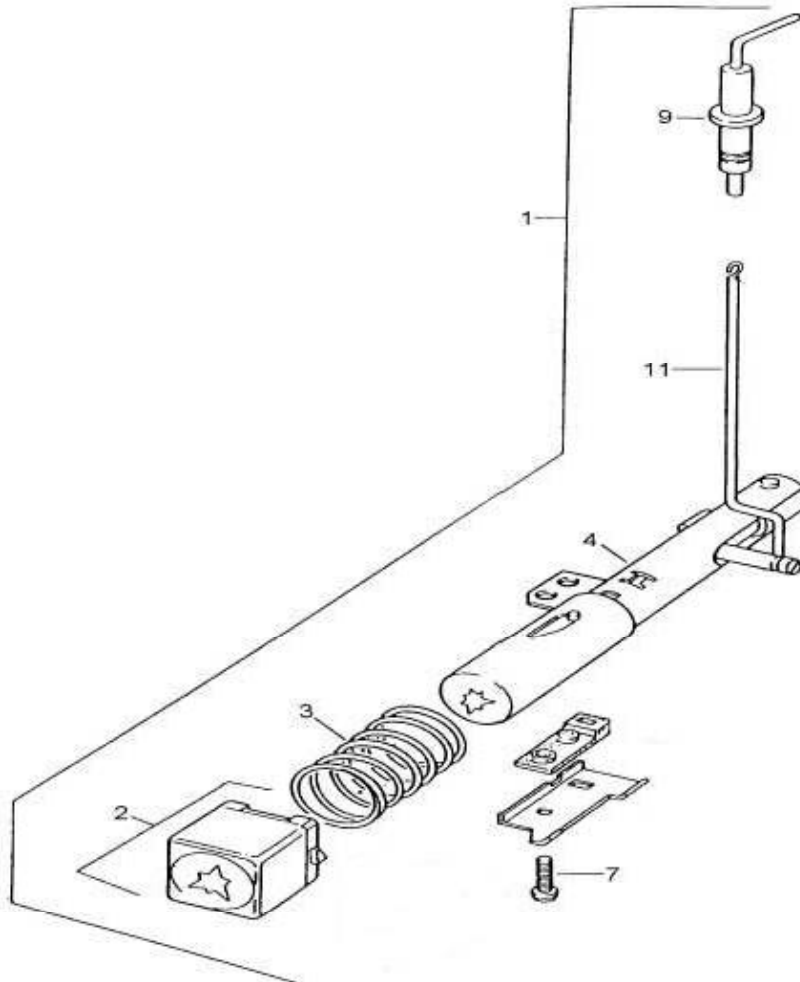


Position	Part Number	Description	Comments
1	8707002478	Complete Valve	
1.1	8705500060	Water Housing Cover	
3	8703406138	Gland Screw	
4	No Longer Available	O Ring	O ring NLA Replace cover 8705500033
6	8700503042	Bearing Plate	
7	8700103006	Washer	

7			Part not known
8	8708503060	Slow Ignition Valve	
9	8740205009	O Ring	
11	2910654191	Screw	
12	8700503043	Diaphragm	
14	8703404098	Setting Screw	
15	8700205050	O Ring	
16	8700507059	Water Filter	
18	8708205246	Venturi	
19	87102050060	O Ring	
21	8707401022	Blow Off Valve	
22	2916080807	Retaining Screw	
23	8708501176	Valve	
27	8708500230	Guide Bushing	
30	8700506040	Cover	
31	8704603119	Spring	
32	97080633960	Sealing Cap	
33	8736200509	Washer	
35	97080601050	Washer	

**BOSCH**

Invented for life



Position	Part Number	Description	Comments
1	8708108011	Ignitor assembly	
2	8700506030	Ignitor Button	Red
3	8704603085	Spring	
4	8748108009	Piezo Ignitor	
7	8703401053	Screw	
9	87081070020	Electrode	
11	8704400054	High Tension Cable	